

GPD
series



COMPASS INTERNATIONAL (NINGBO) LTD.

ADD: Floor 2, No. 2 Building, Silver Walk Street,
789 Middle Rili Road, Yinzhou District, 315199, Ningbo, China
TEL: 0086-574-83008927
Http://www.compass-nb.com
Email:sales@compass-nb.com

GPD系列单相管道屏蔽电泵 **GPD SERIES CIRCULATION PUMPS**

全心全意做好泵
CONCENTRATES ON PUMPS

给系统一颗强劲的心



目录

Contents

- 01. 公司简介 Company Profile
- 03. 爆炸图 Structural Diagram
- 05. 产品结构 Structure
 - 主要零部件材质表 Bill of Material
- 06. 型号说明 Type Key
- 07. 产品用途 Application
 - 产品选择 Product Selection
- 08. 型谱图 Type Spectra
- 09. 产品安装 Installation
 - 工作条件 Working Conditions
- 11. GPD270W以下产品参数对照表 Parameter Table for 270W Pumps and Below
- 12. GPD300W以上产品参数对照表 Parameter Table for 300W Pumps and Above
- 13. 单相管道屏蔽电泵 GPD Series Circulation Pumps

我司专注于屏蔽泵的研发&制造。

2007年，为满足日益增长的市场需求，我司在中国安徽省合肥市国家级高新区斥资3亿元人民币开始兴建占地10万平方米的大型生产基地，并于2009年年底正式投产。

我司严格按照ISO9001:2015质量管理体系、ISO14001:2015环境管理体系、OHSAS18001:2007职业健康安全管理体系标准建立起研发、生产、销售和服务体系。依据不同国家和地区的法规，相关产品相继通过了CCC、GS、UL、CE等多项认证以及RoHS、REACH、EEI等多项检测，以确保产品安全、稳定、可靠、耐用，并符合当地的法律法规要求。物力的保障、制度的完善、人才的汇聚，奠定了我司的核心竞争力和可持续发展空间。

作为全国泵标准化技术委员会委员单位、全国旋转电机标准化技术委员会起重冶金和屏蔽电机标准化分技术委员会委员单位，参与起草了一系列屏蔽泵和屏蔽电机标准。我们矢志不渝的坚持以客户需求为导向的产品研发和质量提升，为不同流体介质无泄漏输送的一般性和特殊性要求提供专业的解决方案。我司产品远销欧美亚多个国家和地区，广泛应用于化工、石化、石油精炼、纺织、机车、中央空调、航空航天、核电、空调系统冷暖循环供水、建筑、环保、暖通、新能源等诸多领域。可靠的产品品质，贴心的售后服务，为我们赢得了广泛美誉。

我司愿与您诚信携手、共创辉煌。



We are specialized in canned motor pump R&D and manufacturing.

In order to satisfy the rising market demand, in 2007 our large production base was constructed with the total investment of 300 million Chinese Yuan in National Hi-Tech Developing Zone in Hefei, Anhui Province, China. In the end of 2009, our new plant with the floor area of 100,000 Square meters started running.

Based on the standard of ISO 9001:2015 Quality Management System, ISO14001:2015 Environment Management System and OHSAS18001:2007 Occupation Health and Safety Management System, we established a complete set of design, producing, marketing and service system, As required by different countries and areas, our related products successfully obtained certifications such as CCC, GS, UL and CE as well as passed required tests such as RoHS, REACH and EEI. All of these ensured the safety, stability, reliability, durability and legality of our products in the market. We have formed our own core competitiveness as well as the space for sustainable development with sufficient material resources, reinforced regulation system and high tech talents we gathered.

As a member units of national pump standardization technical committee as well as Crane, Metallurgical Motors and Canned Motors standardization technical committee of national electric rotating machinery standardization technical committee, we participated drafting work of a series of standards regarding canned motor and canned motor pumps. We are committed to product research and development as well as quality promotion with orientation of customers' requirement. We offer professional solutions for general and special requirements regarding non-leakages delivery of various kinds for fluid. Our products are sold abroad to many countries in America, Europe, Asia and other areas being widely used in chemical industry, petrification, petroleum refining, textile industry, locomotive, central air conditioning, aerospace, nuclear power, air conditioning system cooling and heating circulation, construction, environment protection, ventilation and new energy. With reliable quality and attentive service, we have gained a high reputation in the market.

We sincerely hope to cooperate with you for a splendid future together.

■ 产品结构 Structure

1. 产品由水泵和单相屏蔽式（湿式转子）电动机两部分组成。水泵部分主要有叶轮、泵体等部件组成。电机部分主要有定子、转子、屏蔽套、放气螺钉等部件组成。
2. 密封性：该泵不使用机械密封，电机的定子、转子以不锈钢套屏蔽密封，整体结构采用两个耐热橡胶圈密封，无泄漏。
3. 润滑和冷却：本产品的润滑和冷却采用内循环方式，由泵抽送的介质实现自润滑和自冷却。
4. 电机：电机绝缘等级H级，电机的运行转速有单一转速和三速调节两种方式。

1. Pump contains two parts: hydraulic section and motor(with wet rotor). Hydraulic section contains pump housing, impeller while motor includes stator, rotor, cartridge and air-venting nut.
2. Sealing: the pump does not use mechanical seal. Stator and rotor are sealed with cartridge made of stainless steel and two heat-resistant rubber rings, which ensure no leakage.
3. Lubrication of bearings and cooling of motor by inner circulation of pumped liquid.
4. Insulation class H, one speed or three speeds.

■ 主要零部件材质表 Material table

序号 No.	零件名称 Name	材质 Material
1	泵体 Pump housing	铸铁/不锈钢/塑料/铜 Cast iron/Stainless steel/Plastic/Copper
2	叶轮 Impeller	工程塑料 Engineering plastic
3	轴 Shaft	陶瓷/不锈钢 Ceramic/ Stainless steel
4	轴承座 Bearing base	不锈钢 Stainless steel
5	推力轴承 Thrust bearing	浸渍石墨/碳化硅 Impregnated Carbon/ Silicon Carbide
6	轴承 Bearing	陶瓷/浸锑石墨 Ceramic/ Baptist antimony graphite
7	推力轴承座 Base of thrust bearing	不锈钢/橡胶 Stainless steel/ Rubber
8	屏蔽套 Shield cover	不锈钢 Stainless steel
9	管接头 Connection	铸铁/不锈钢/铜 Cast iron/Stainless steel/Copper



电泵的型号由大写拉丁字母和阿拉伯数字等组成，其意义如下：

Name of model is formed of uppercase latin letters and arabic numbers. Its meaning is as following:

GPD □ - □ □

- L:表示低流量
Low flow pump
- B:表示铜泵体材质，（铸铁泵体省略）
Bronze pump housing(cast-iron housing without letter)
- N:表示不锈钢泵体材质
Stainless-steel pump housing
- P:表示塑料泵体
The plastic pump housing
- C:表示泵的出口装有止回阀
Pump installed with check valve
- F:表示泵体的连接为法兰连接，螺纹连接省略
Flange pipe connection(threaded connection without letter)
- Z:表示泵的进出口方向为轴向进水，径向进水省略
Axial inlet direction(radial direction without letter)
- S:表示电机有三档转速，单速省略
Three-speed motor(single speed without letter)
- 代表泵的最高扬程(m)
Maximum head(m)
- 代表泵的进出口额定直径(DN)
Nominal diameter of inlet and outlet ports(mm)
- GPD：单相管道屏蔽电泵
GPD series circulation pumps

型号示例：GPD25-12SB，表示具有三档转速，最高扬程为12米的单相管道屏蔽泵，泵的进出口径为DN25，泵体材质为铜。
Example: GPD25-12SB is three-speed pump with bronze pump housing. The inlet and outlet is DN25, max. head is 12 m.

■ 产品用途 Application

本公司科研技术人员采用国内外先进技术研制开发的GPD单相管道屏蔽电泵，具有低噪音、无泄漏、环保、外形美观、安装方便以及运行可靠等优点，可用于单管和双管供热系统及大型系统中的混合回路；也可适用于城市公寓、市郊别墅、住宅供水增压、地热系统和热水循环，冷却系统和空调系统里的液体的循环，锅炉太阳能供水等不同领域。

Single-phase canned motor circulation pumps designed and produced by our specialists have these features: low noise, no leakage, ecological safety in operation, artistic appearance, easy installation and reliable operation. Pumps can be used in single pipe or double pipe heating system, also can be applied to city apartments, suburb villa, cooling, air-conditioning, boilers and solar systems etc.

■ 产品选择 Product selection

用户可根据需输送的流量扬程，参看型谱图选择泵的型号规格。

GPD系列产品的进出口既有管螺纹连接，又有部分法兰连接，可根据需要选择。300W以上产品的进出口一般采用法兰连接。如果你需要的产品进出口口径的尺寸或形式与本样本所列的标准规格产品不同，我们可为你专门设计定制。

GPD管道屏蔽电泵的泵体一般采用铸铁材料，也可根据用户的需要采用铜或不锈钢材质。

对于输送介质为常温清水的场合，建议泵体采用铸铁件；当产品用于地下布管加热系统时，建议泵体采用黄铜/青铜材料；当产品用于生活热水的循环时，建议泵体采用不锈钢材料的GPD-N型泵，或者黄铜/青铜材料的GPD-B型泵。

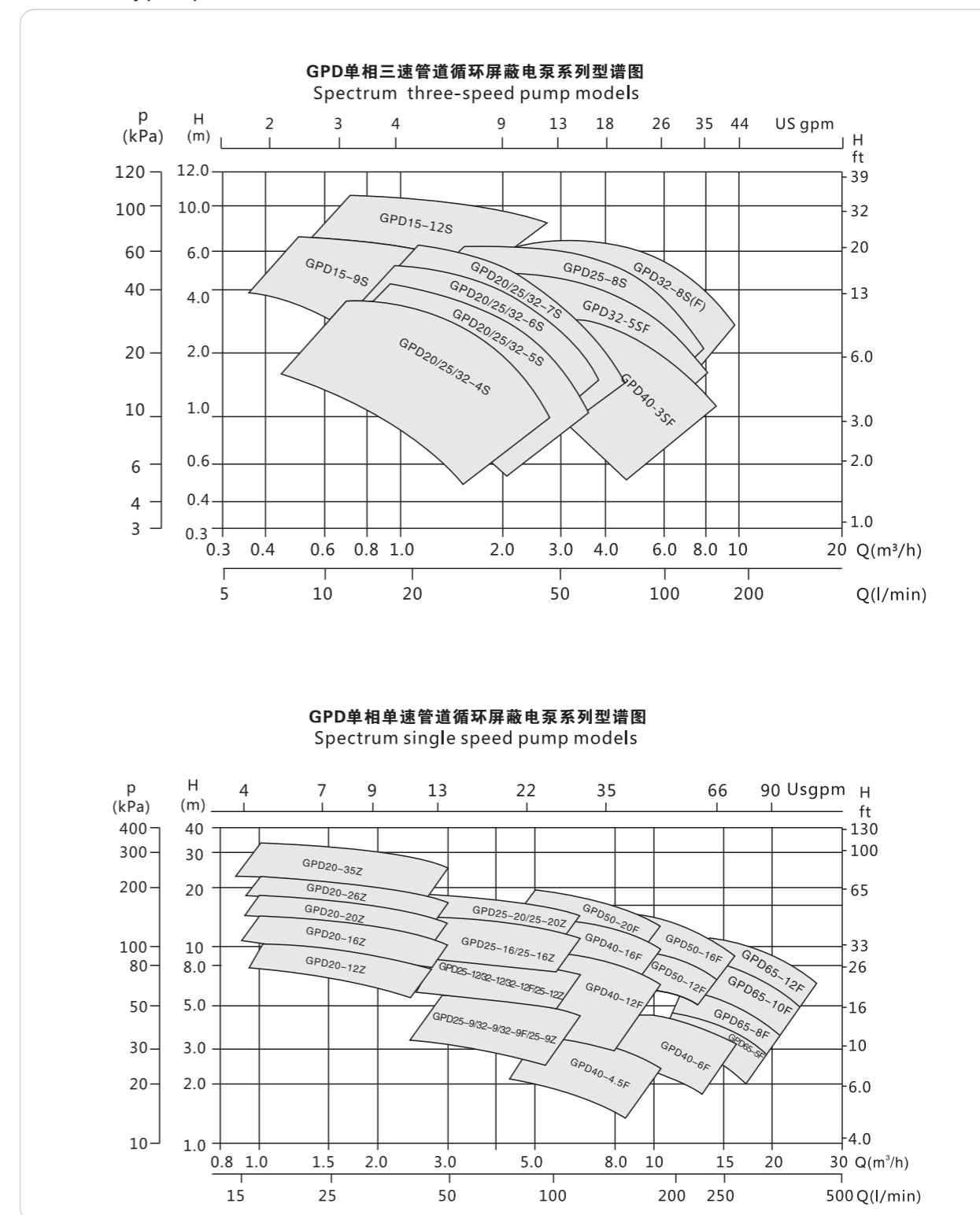
Users can select a model from the type spectra according to the requirement of head and flow.

GPD series have two kinds of pipe connections: threaded and flange. Models with power above 300W mainly have flange connection. We can make customized design according to your needs.

Pump housing is generally made of cast iron. Bronze and stainless steel pump housing is also available.

Pump with cast iron housing is widely used for delivering water for room heating. Pump with bronze housing is largely used in the floor heating system. For delivering domestic hot water we recommend using pump with stainless steel housing(GPD-N) or bronze housing(GPD-B).

■ 型谱图 Type Spectra



■ 产品安装 Installation

泵安装时必须保证电机轴与地平面水平，在启动时，打开位于电机顶部的放气螺钉使泵内气体顺利排出后重新拧紧，以避免水泵在缺水状态下运行。

During installation, the shaft of pump should be parallel to ground. Before start-up, open the venting screw on the top of the motor so that air in the pump can be released well, and then re-fasten the venting screw. This will help preventing pump from dry running.

■ 工作条件 Working Conditions

1. 电源：电压230V、频率50Hz的单相交流电。样本中所列型号也可根据用户制造成电压230V、频率 60Hz或者电压 115V、频率60Hz的产品，样本中所列的产品曲线及性能参数仅代表230V、50Hz的产品性能。
2. 最大系统压力：1.0MPa。
3. 工作时环境空间温度范围为0°C ~ 40°C，输送液体温度范围为2°C ~ 110°C。环境温度必须始终低于液体温度，否则在定子腔体内会出现冷凝液体。
4. 输送液体性质：稀薄、清洁、非腐蚀性和非易爆的液体，如果循环泵用于粘度较高的场合，泵的水力性能会降低，因此选择一台泵时，必须考虑泵送液体的粘度。
5. 为避免气蚀产生噪音和振动，需在泵进口维持以下最小进口压力。

1. Power supply: voltage 230V, frequency 50Hz, single-phase AC power. The models listed in the table can also be manufactured according to user's requirement as 230V/60Hz or 115V/60Hz. Curve and performance parameters in this table represent only products with power supply of 230V/50Hz.
2. Maximum system pressure: 1.0MPa.
3. Ambient temperature: 0°C ~ 40°C, temperature of medium: 2 °C ~ 110 °C. In order to avoid condensed water in stator, make sure the ambient temperature is lower than liquid temperature.
4. Medium: thin, clean, non-corrosive and non-explosive liquid, does not contain any solid particles, fibers or mineral oil. Pump must not be used for delivering flammable liquids, such as diesel and gasoline. Delivering liquid of high viscosity will reduce performance of the pump, so while choosing a pump, the viscosity of the medium must be taken into consideration.
5. Maintain minimum pressure at the pump inlet to avoid cavitation noise and damage to pump bearings.

270W以下产品在泵进口处要维持以下最小进口压力（清水标准）
 For pumps with power below 270W, the inlet minimum water pressure should be maintained as following:

液体温度 Liquid Temperature	85°C	90°C	110°C
进口压力 Inlet Pressure	6米扬程 Head(m) 0.6 bar	7.5米扬程 Head(m) 0.75 bar	15米扬程 Head(m) 1.5 bar

对于300W以上产品每种规格的进口压有所区别，分别要求如下：

For pumps with power above 300W, the inlet minimum water pressure is different for each model, see following details:

产品型号 Model	液体温度 Liquid Temperature		
	70°C(bar)	90°C(bar)	110°C(bar)
GPD40-4.5F	0.35	0.75	1.45
GPD40-6F	0.15	0.75	1.2
GPD25-9	0.35	0.75	1.2
GPD32-9	0.35	0.75	1.2
GPD25-12L	0.35	0.75	1.2
GPD25-12	0.4	0.75	1.4
GPD32-12	0.4	0.75	1.4
GPD32-9F	0.35	0.75	1.2
GPD32-12F	0.4	0.75	1.4
GPD25-16	0.8	1.1	1.7
GPD25-20	0.7	0.95	1.6
GPD40-12F	0.35	0.75	1.15
GPD40-16F	0.4	0.75	1.4
GPD50-12F	0.4	0.75	1.4
GPD50-16F	0.35	0.75	1.35
GPD50-20F	0.85	1	1.6
GPD65-5F	0.45	0.75	1.2
GPD65-8F	0.45	0.75	1.2
GPD65-10F	0.9	1.2	1.9
GPD65-12F	0.7	1	1.7
GPD80-10F	0.7	1.05	1.8
GPD80-12F	0.7	1.05	1.81
GPD25-9Z	0.35	0.75	1.2
GPD25-12Z	0.4	0.7	1.4
GPD20-12Z	0.45	0.75	1.6
GPD20-16Z	0.65	1.05	1.85
GPD25-16Z	0.8	1.1	1.7
GPD25-20Z	0.7	0.95	1.6
GPD20-20Z	0.8	1.1	1.7
GPD20-26Z	0.8	1.1	1.7
GPD20-35Z	0.5	1.05	1.7

GPD | Product List

产品列表

270W 以下产品参数对照表
Parameter Table for 270W Pumps and Below

产品型号 Model	最大流量 Max. Flow (m³/h)	功率 Power (w)	额定流量 Rated Flow (m³/h)	额定扬程 Rated Head (m)	额定电流Rated Current(A)		电压 Voltage (V)		泵体材质 Housing material			
					115V	230V	115	230	铸铁 Cast Iron	塑料 Plastic	铜材 Copper	不锈钢 Stainless steel
GPD20-4S	2.8	65/50/32	1.6	2.6	0.56/0.44/0.15	0.28/0.22/0.15	●	●	●	●	●	●
GPD25-4S	3.0		1.6	2.6			●	●	●	●	●	
GPD32-4S	3.5		1.8	2.6			●	●	●	●	●	
GPD20-5S	2.8	85/60/40	1.8	3.2	0.80/0.60/0.44	0.4/0.3/0.22	●	●	●	●	●	●
GPD25-5S	3.3		1.8	3.2			●	●	●	●	●	
GPD32-5S	4.0		2.5	2.5			●	●	●	●	●	
GPD20-6S	2.8	100/70/55	1.8	3.6	0.90/0.70/0.50	0.45/0.35/0.25	●	●	●	●	●	●
GPD25-6S	3.3		2.0	3.5			●	●	●	●	●	
GPD32-6S	4.0		2.0	3.5			●	●	●	●	●	
GPD20-7S	3.5	130/110/90	2.0	4.2	1.20/1.04/0.84	0.6/0.52/0.42	●	●	●	●	●	●
GPD25-7S	4.0		2.5	3.8			●	●	●	●	●	
GPD32-7S	4.5		2.5	3.8			●	●	●	●	●	
GPD15-9S	1.8	120/80/65	0.7	6.0	1.06/0.80/0.50	0.53/0.4/0.25	●	●	●	●	●	●
GPD15-12S	3.5	270/240/160	2.0	9.5	2.40/2.20/1.50	1.2/1.1/0.75	●	●	●	●	●	●
GPD20-12S	4.0	270/240/160	2.0	9.0	2.40/2.20/1.50	1.2/1.1/0.75	●	●	●	●	●	●
GPD25-8S	6.0	245/190/135	3.2	6.0	2.20/1.70/1.20	1.1/0.85/0.60	●	●	●	●	●	●
GPD32-8S	8.0		4.0	5.5			●	●	●	●	●	
GPD32-8SF	8.0	245/190/135	4.0	5.5	2.20/1.70/1.20	1.1/0.85/0.60	●	●	●	●	●	●
GPD25-12S	4.0	270/240/160	2.0	9.0	2.40/2.20/1.50	1.2/1.1/0.75	●	●	●	●	●	●

备注：● 代表可选择的产品规格
● represents optional product specification.

Product List | GPD

产品列表

300W 以上产品参数对照表
Parameter Table for 300W Pumps and Above

产品型号 Model	最大流量 Max. Flow (m³/h)	功率 Power (W)	额定流量 Rated Flow (m³/h)	额定扬程 Rated head (m)	额定电流Rated Current(A)		电压 Voltage (V)		泵体材质 Housing material		
					115V	230V	115	230	铸铁 Cast Iron	铜材 Copper	不锈钢 Stainless steel
GPD25-9	7	300	4	7	3.0	1.5	●	●	●	●	●
GPD32-9	8		5	6.5	3.0	1.5	●	●	●	●	●
GPD25-12L	6.2		3.5	9	3.0	1.5	●	●	●	●	●
GPD25-12	7	500	5	8		2.5		●	●	●	●
GPD32-12	10		6	8		2.5		●	●	●	●
GPD25-16	10.5	700	5	12.5		3.4		●	●	●	●
GPD25-20	12	1000	8	16		4.9		●	●	●	●
GPD32-9F	8	300	5	7	3.0	1.5	●	●	●	●	●
GPD32-12F	10	500	5	9		2.5		●	●	●	●
GPD40-4.5F	14	300	8	3.2	3.0	1.5	●	●	●	●	●
GPD40-6F	18	500	12.5	4.5		2.5		●	●	●	●
GPD40-12F	12	700	8	10		3.4		●	●	●	●
GPD40-16F	13.5	1000	8	15		4.9		●	●	●	●
GPD50-12F	26	1000	15	9		4.9		●	●	●	●
GPD50-16F	26	1300	15	13		5.8		●	●	●	●
GPD50-20F	21	1300	12	14		5.8		●	●	●	●
GPD65-5F	28	700	18	3		3.4		●	●	●	●
GPD65-8F	30	700	20	5		3.4		●	●	●	●
GPD65-10F	32	1000	20	6.5		4.9		●	●	●	●
GPD65-12F	40	1300	25	7.5		5.8		●	●	●	●
GPD80-10F	32	1000	22	6		4.9		●	●	●	●
GPD80-12F	35	1300	28	7		5.8		●	●	●	●
GPD25-9Z	7	300	4	7	3.0	1.5	●	●	●	●	●
GPD25-12Z	7	500	5	8		2.5		●	●	●	●
GPD20-12Z	4.5	300	3	10	3.0	1.5	●	●	●	●	●
GPD20-16Z	5.5	500	3	13	5.0	2.5	●	●	●	●	●
GPD25-16Z	10.5	700	5	12.5		3.4		●	●	●	●
GPD25-20Z	12	1000	8	16		4.9		●	●	●	●
GPD20-20Z	8	700	5	16		2.5		●	●	●	●
GPD20-26Z	9	1000	6	20		4.9		●	●	●	●
GPD20-35Z	10	1300	7	22		5.8		●	●	●	●

备注：● 代表可选择的产品规格
● represents optional product specification.

GPD^{Model} 产品型号

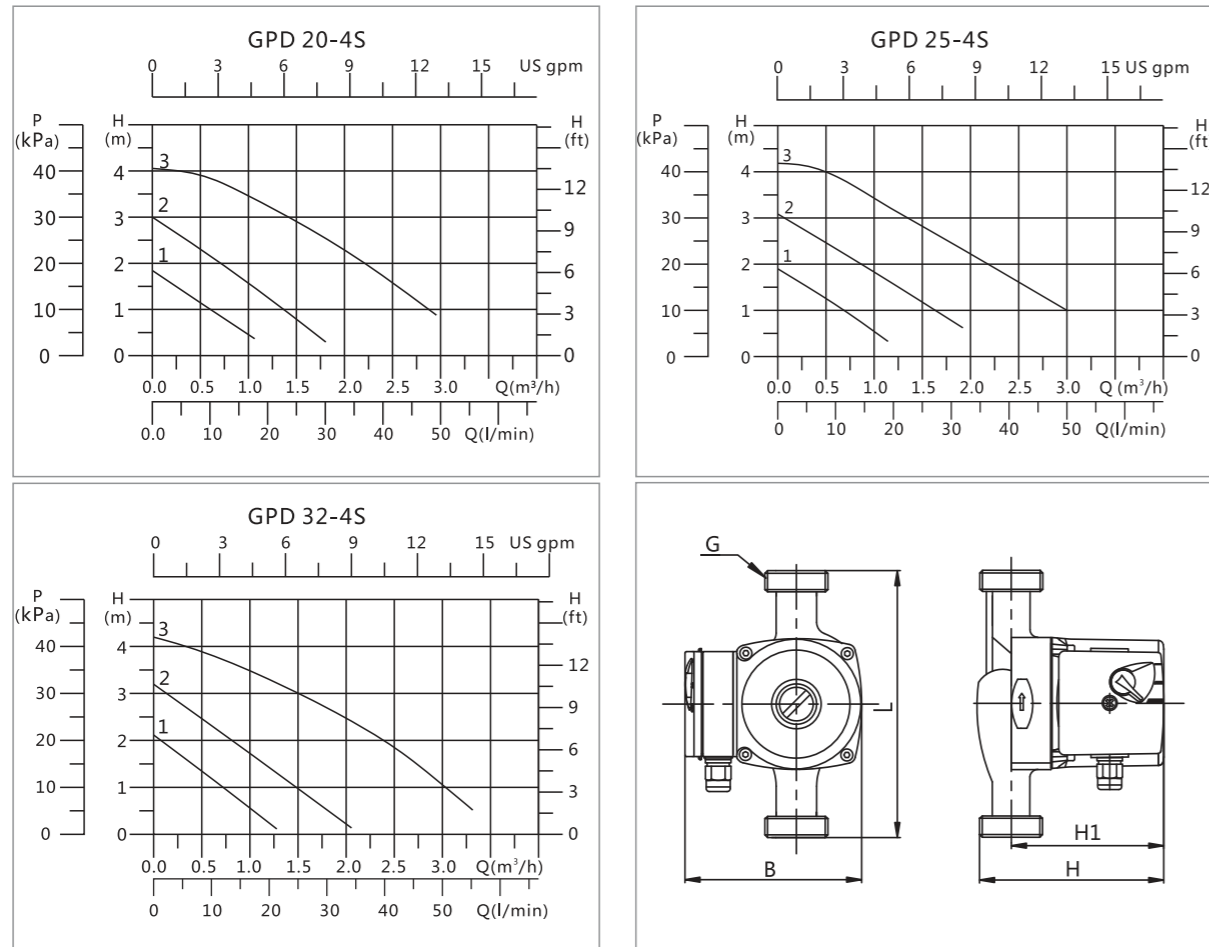
GPD20-4S/GPD25-4S/GPD32-4S

单相管道屏蔽电泵

GPD series circulation pumps



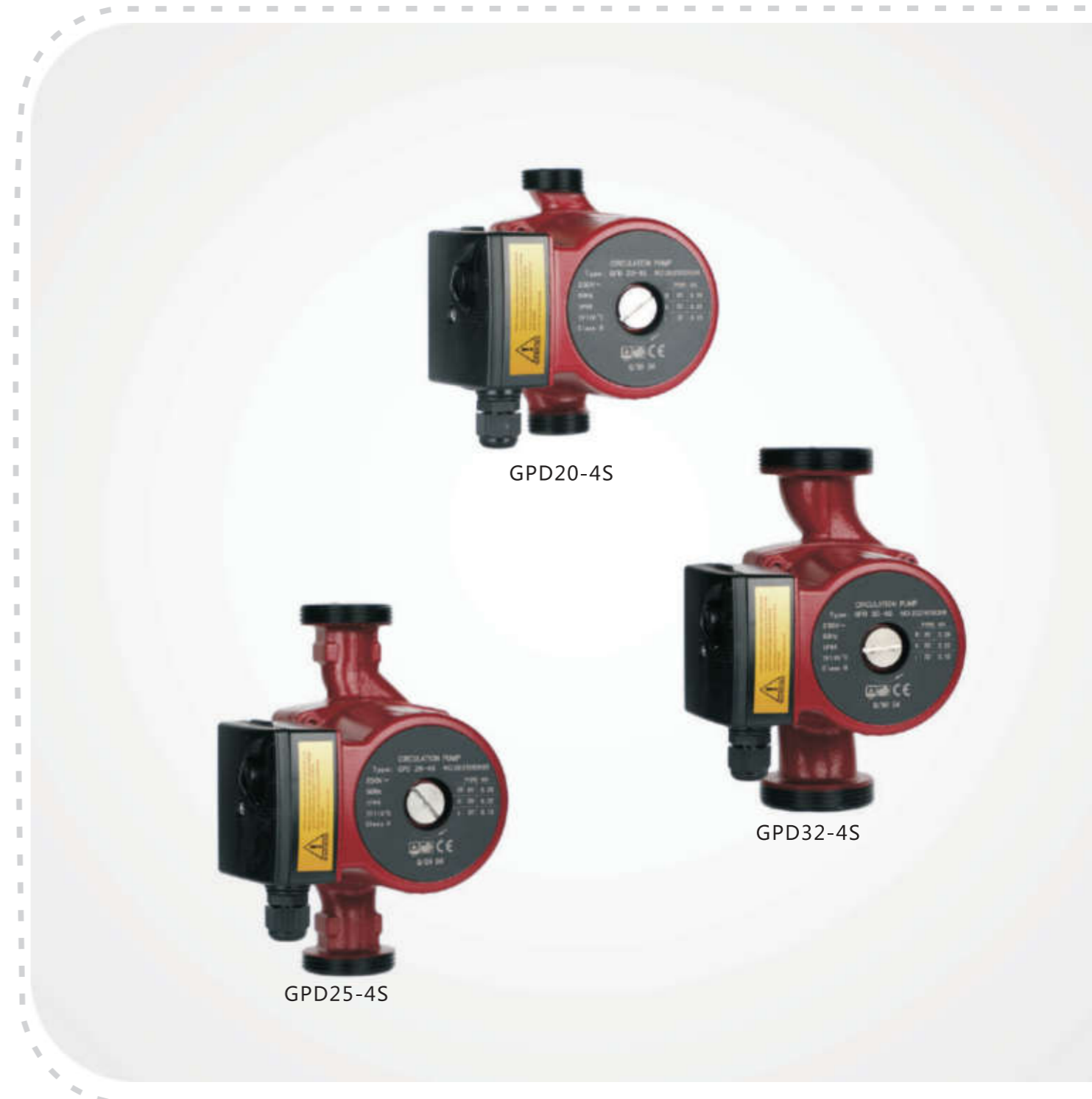
产品技术数据 Technical data



产品型号 Model	最大流量 Max. Flow (m ³ /h)	功率 Power (W)	额定流量 Rated Flow (m ³ /h)	额定扬程 Rated Head (m)	额定电流 Rated Current(A)		电压 Voltage(V)		泵体材质 Material of pump housing			
					115V	230V	115	230	铸铁 Cast Iron	塑料 Plastic	铜材 Copper	不锈钢 Stainless steel
GPD20-4S	2.8	65	1.6	2.6	0.56	0.28	●	●	●	●	●	●
GPD25-4S	3.0	65	1.6	2.6	0.56	0.28	●	●	●	●	●	●
GPD32-4S	3.5	65	1.8	2.6	0.56	0.28	●	●	●	●	●	●

产品型号 Model	安装尺寸 Dimension(mm)					重量 Weight(Kg)		配用接头/法兰 Connection/Flange	包装箱尺寸 Package size(mm×mm×mm)
	L	H	H1	B	G	净重 N.W.	毛重 G.W.		
GPD20-4S	130	130	105	130	1"	2.1	2.4	1"-3/4"	360×300×310
GPD25-4S	130	130	105	130	1 1/2"	2.4	3	1 1/2"-1"	360×300×310
	180								420×300×310
GPD32-4S	180	130	105	130	2"	2.7	3.5	2"-1 1/4" or 1 1/2"	420×300×310

净重：裸泵重量，不包含配件重； Net weight: weight of pump, accessory not included. ●代表可选择的产品规格
毛重：包含说明书、管接头等纸箱内配件重量。 Gross weight: manual, connection and package included. ●represents optional product specification.



GPD^{Model} 产品型号

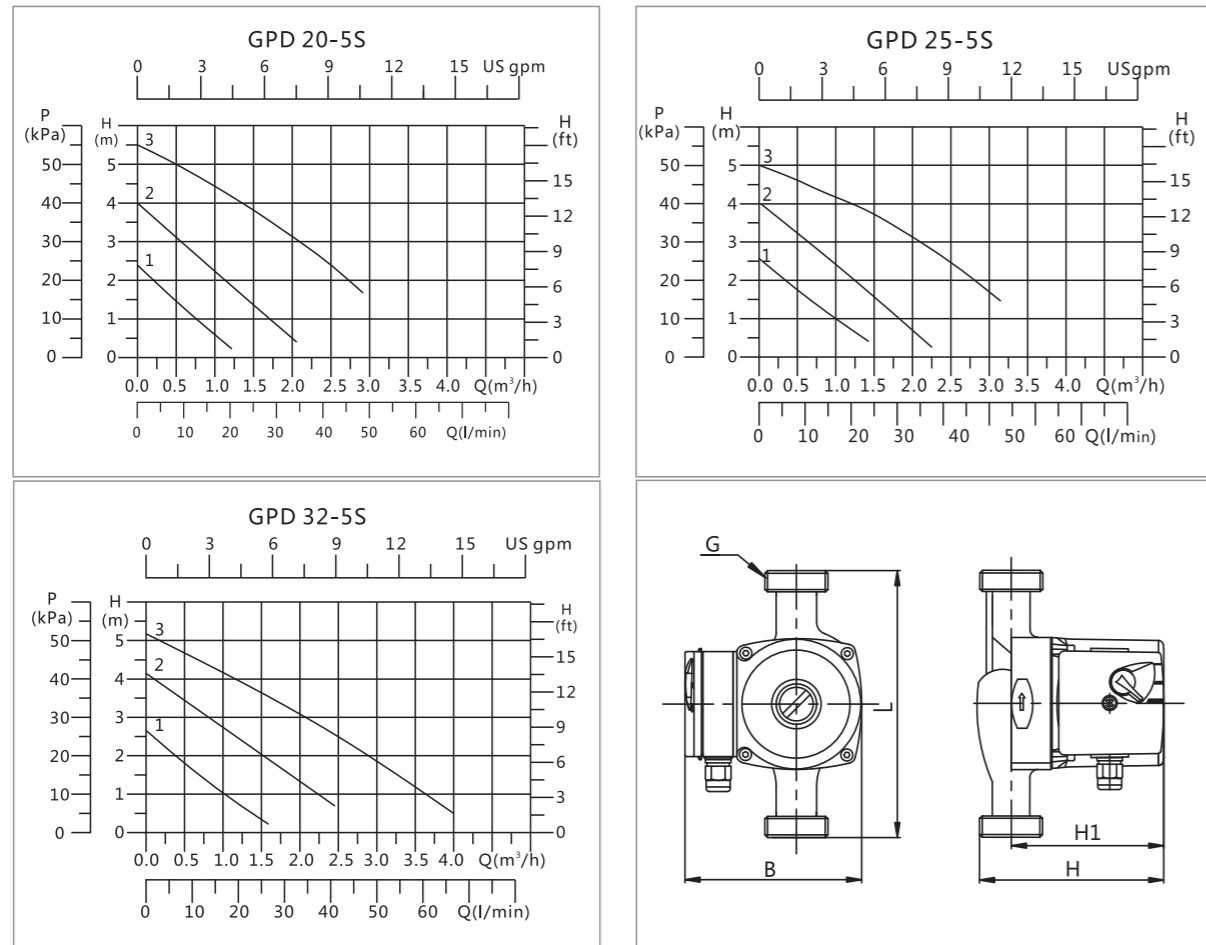
GPD20-5S/GPD25-5S/GPD32-5S

单相管道屏蔽电泵

GPD series circulation pumps



产品技术数据 Technical data



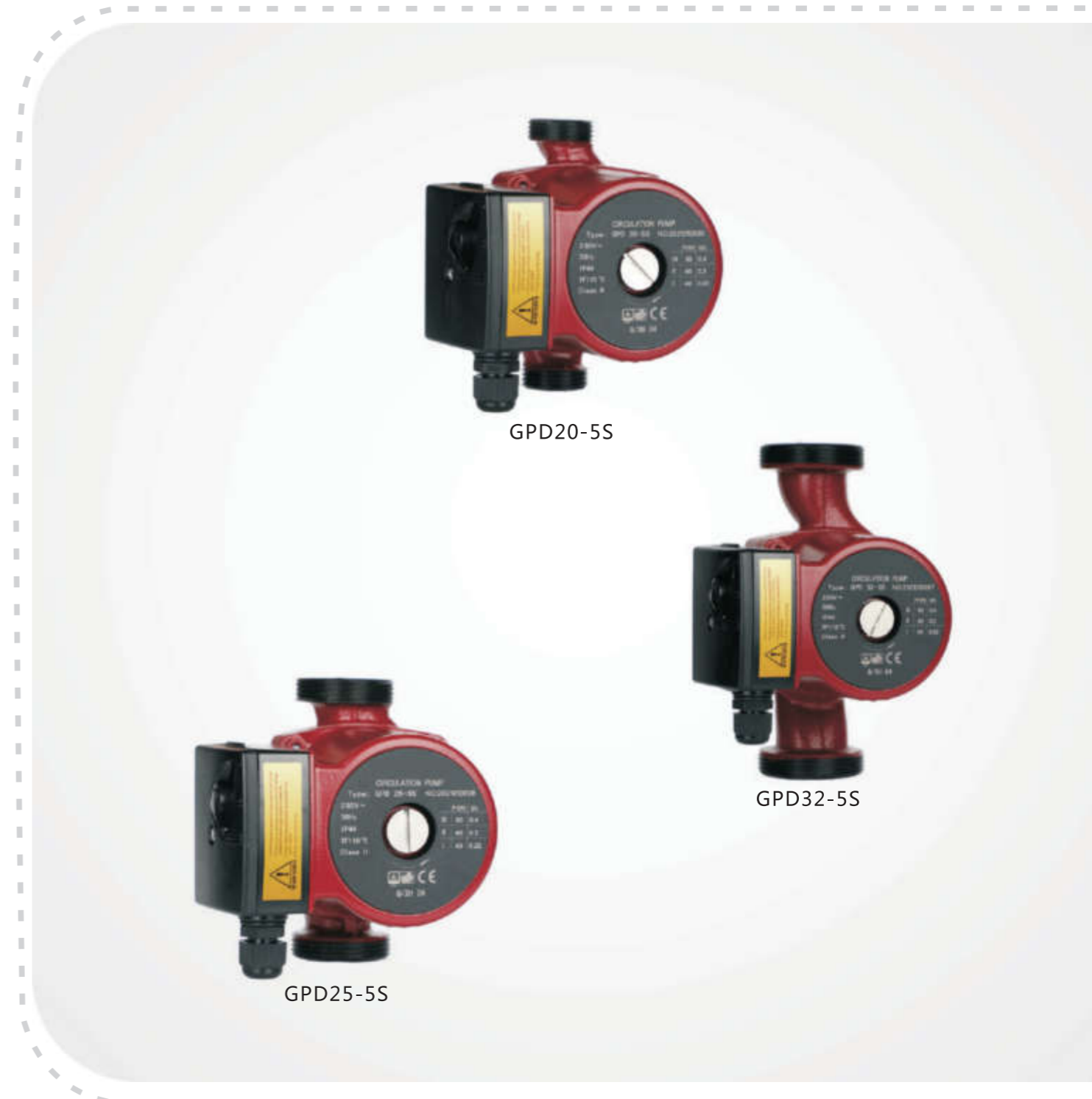
产品型号 Model	最大流量 Max. Flow (m ³ /h)	功率 Power (W)	额定流量 Rated Flow (m ³ /h)	额定扬程 Rated Head (m)	额定电流 Rated Current(A)		电压 Voltage(V)		泵体材质 Material of pump housing			
					115V	230V	115	230	铸铁 Cast Iron	塑料 Plastic	铜材 Copper	不锈钢 Stainless steel
GPD20-5S	2.8	85	1.8	3.2	0.8	0.4	●	●	●	●	●	●
GPD25-5S	3.3	85	1.8	3.2	0.8	0.4	●	●	●	●	●	●
GPD32-5S	4.0	85	2.5	2.5	0.8	0.4	●	●	●	●	●	●

产品型号 Model	安装尺寸 Dimension					重量 Weight(Kg)		配用接头/法兰 Connection/Flange	包装箱尺寸 Package size(mm×mm×mm)
	L	H	H1	B	G	净重 N.W.	毛重 G.W.		
GPD20-5S	130	130	105	130	1"	2.3	2.6	1"-3/4"	360×300×310
GPD25-5S	130	130	105	130	1½"	2.6	3.2	1½"-1"	360×300×310
	180								420×300×310
GPD32-5S	180	130	105	130	2"	2.9	3.8	2"-1¼" or 1½"	420×300×310

净重：裸泵重量，不包含配件重；
毛重：包含说明书、管接头等纸箱内配件重量。

Net weight: weight of pump, accessory not included.
Gross weight: manual, connection and package included.

●代表可选择的产品规格
●represents optional product specification.



GPD^{Model} 产品型号

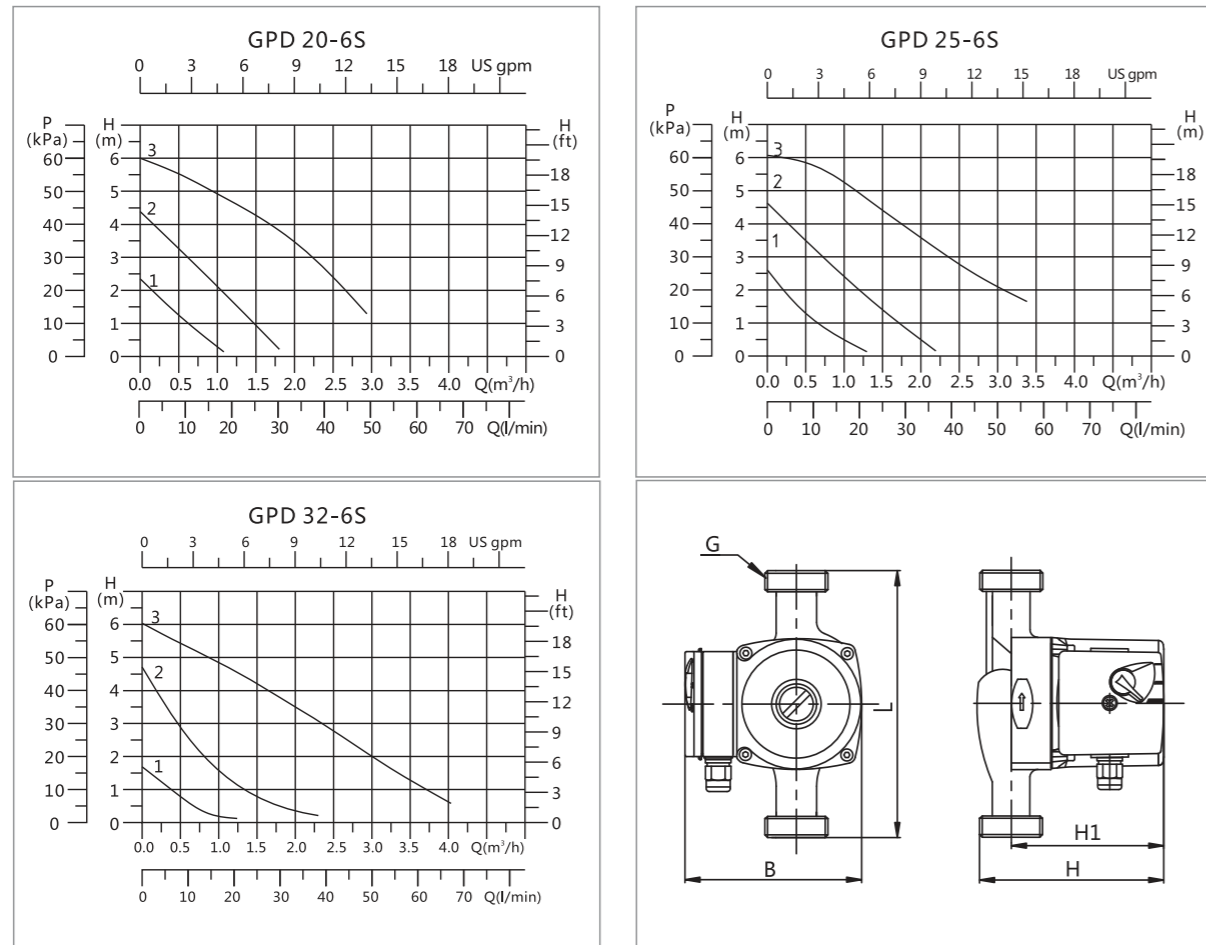
GPD20-6S/GPD25-6S/GPD32-6S

单相管道屏蔽电泵

GPD series circulation pumps



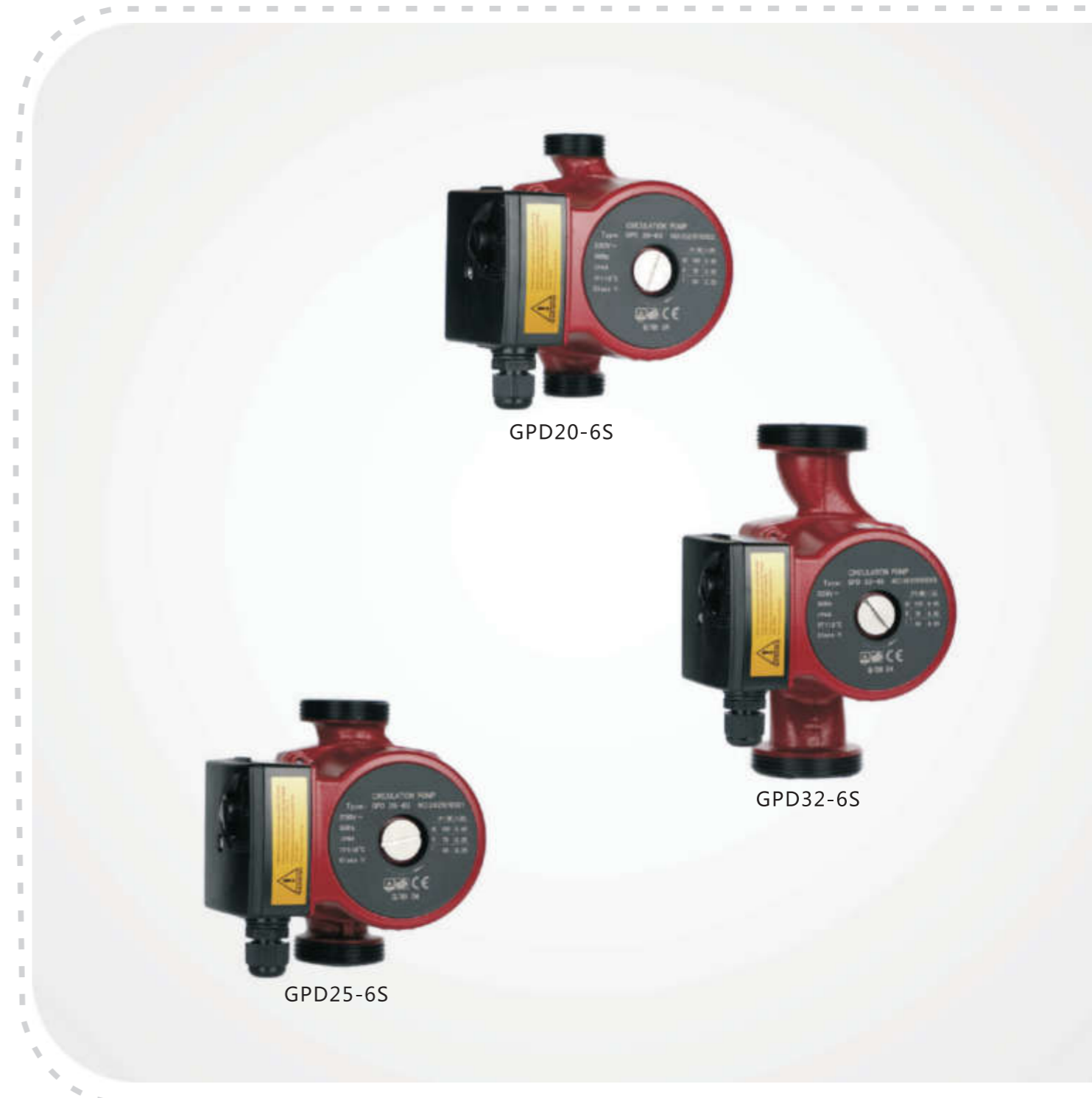
产品技术数据 Technical data



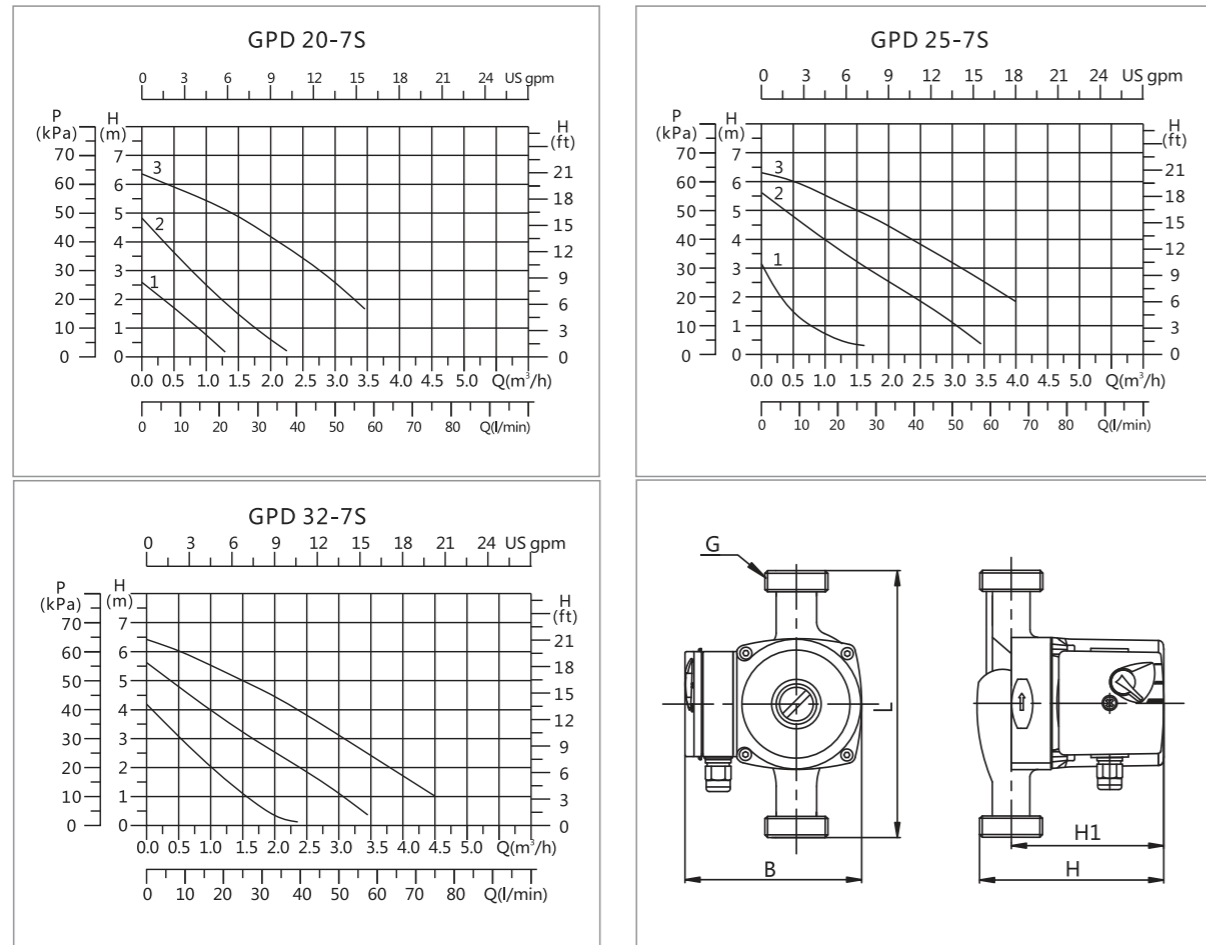
产品型号 Model	最大流量 Max. Flow (m ³ /h)	功率 Power (W)	额定流量 Rated Flow (m ³ /h)	额定扬程 Rated Head (m)	额定电流 Rated Current(A)		电压 Voltage(V)		泵体材质 Material of pump housing			
					115V	230V	115	230	铸铁 Cast Iron	塑料 Plastic	铜材 Copper	不锈钢 Stainless steel
GPD20-6S	2.8	100	1.8	3.6	0.9	0.45	●	●	●	●	●	●
GPD25-6S	3.3	100	2.0	3.5	0.9	0.45	●	●	●	●	●	●
GPD32-6S	4.0	100	2.0	3.5	0.9	0.45	●	●	●	●	●	●

产品型号 Model	安装尺寸 Dimension					重量 Weight(Kg)		配用接头/法兰 Connection/Flange	包装箱尺寸 Package size(mm×mm×mm)
	L	H	H1	B	G	净重 N.W.	毛重 G.W.		
GPD20-6S	130	130	105	130	1"	2.3	2.6	1"-3/4"	360×300×310
GPD25-6S	130	130	105	130	1 1/2"	2.6	3.2	1 1/2"-1"	360×300×310
	180								420×300×310
GPD32-6S	180	130	105	130	2"	2.9	3.8	2"-1 1/4" or 1 1/2"	420×300×310

净重：裸泵重量，不包含配件重； Net weight: weight of pump, accessory not included. ● 代表可选择的产品规格
毛重：包含说明书、管接头等纸箱内配件重量。 Gross weight: manual, connection and package included. ● represents optional product specification.



产品技术数据 Technical data



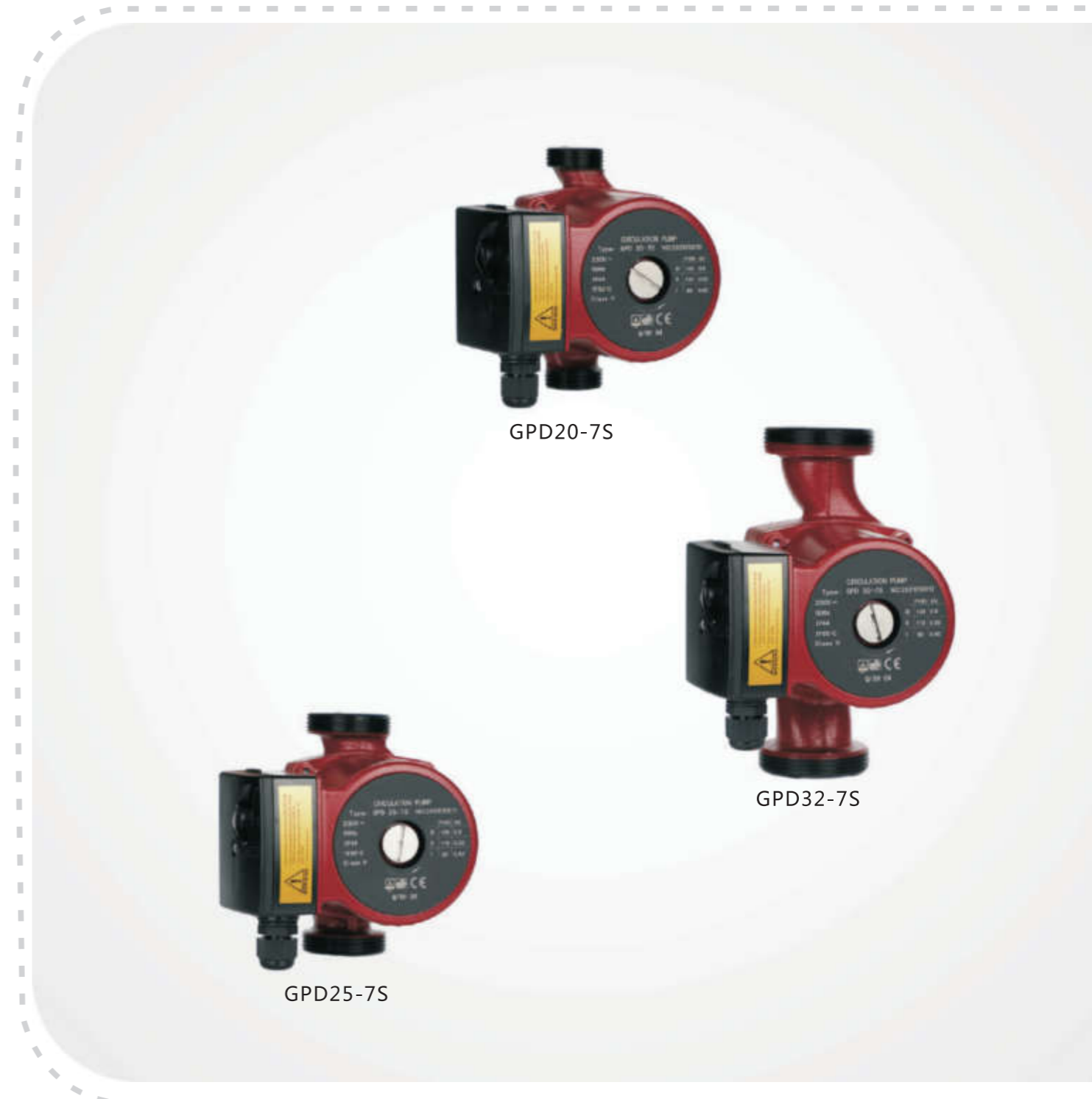
产品型号 Model	最大流量 Max. Flow (m³/h)	功率 Power (W)	额定流量 Rated Flow (m³/h)	额定扬程 Rated Head (m)	额定电流 Rated Current(A)		电压 Voltage(V)		泵体材质 Material of pump housing			
					115V	230V	115	230	铸铁 Cast Iron	塑料 Plastic	铜材 Copper	不锈钢 Stainless steel
GPD20-7S	3.5	140	2.0	4.2	1.2	0.60	●	●	●	●	●	●
GPD25-7S	4.0	140	2.5	3.8	1.2	0.60	●	●	●	●	●	●
GPD32-7S	4.5	140	2.5	3.8	1.2	0.60	●	●	●	●	●	●

产品型号 Model	安装尺寸 Dimension					重量 Weight(Kg)		配用接头/法兰 Connection/Flange	包装箱尺寸 Package size(mm×mm×mm)
	L	H	H1	B	G	净重 N.W.	毛重 G.W.		
GPD20-7S	130	130	105	130	1"	2.3	2.7	1"-3/4"	360×300×310
GPD25-7S	130	130	105	130	1½"	2.6	3.2	1½"-1"	360×300×310
	180								420×300×310
GPD32-7S	180	130	105	130	2"	2.9	3.8	2"-1¼" or 1½"	420×300×310

净重：裸泵重量，不包含配件重；
毛重：包含说明书、管接头等纸箱内配件重量。

Net weight: weight of pump, accessory not included.
Gross weight: manual, connection and package included.

● 代表可选择的产品规格
● represents optional product specification.



GPD^{Model} | 产品型号

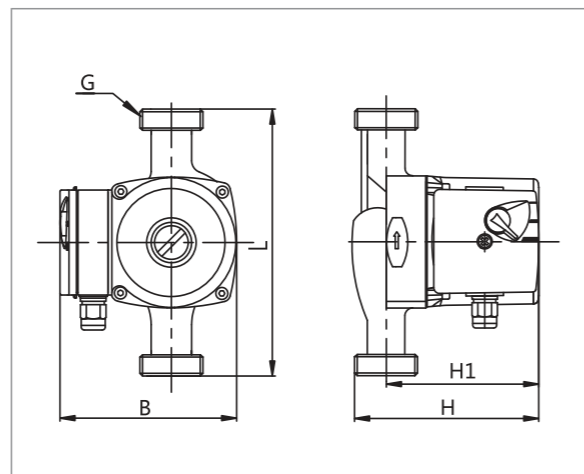
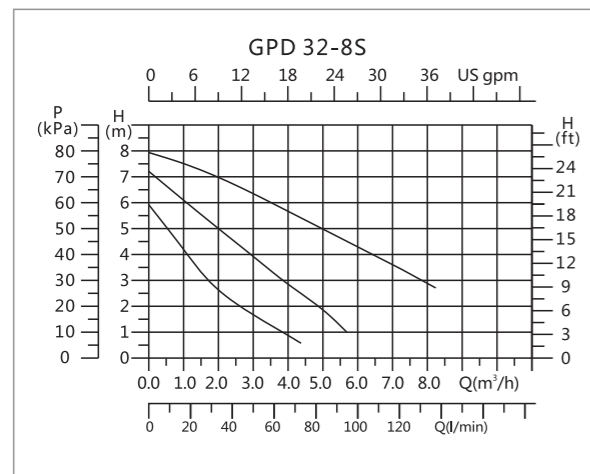
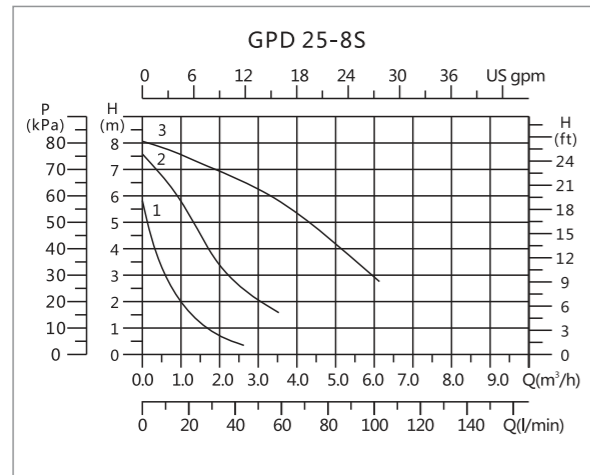
GPD25-8S/GPD32-8S

单相管道屏蔽电泵

GPD series circulation pumps



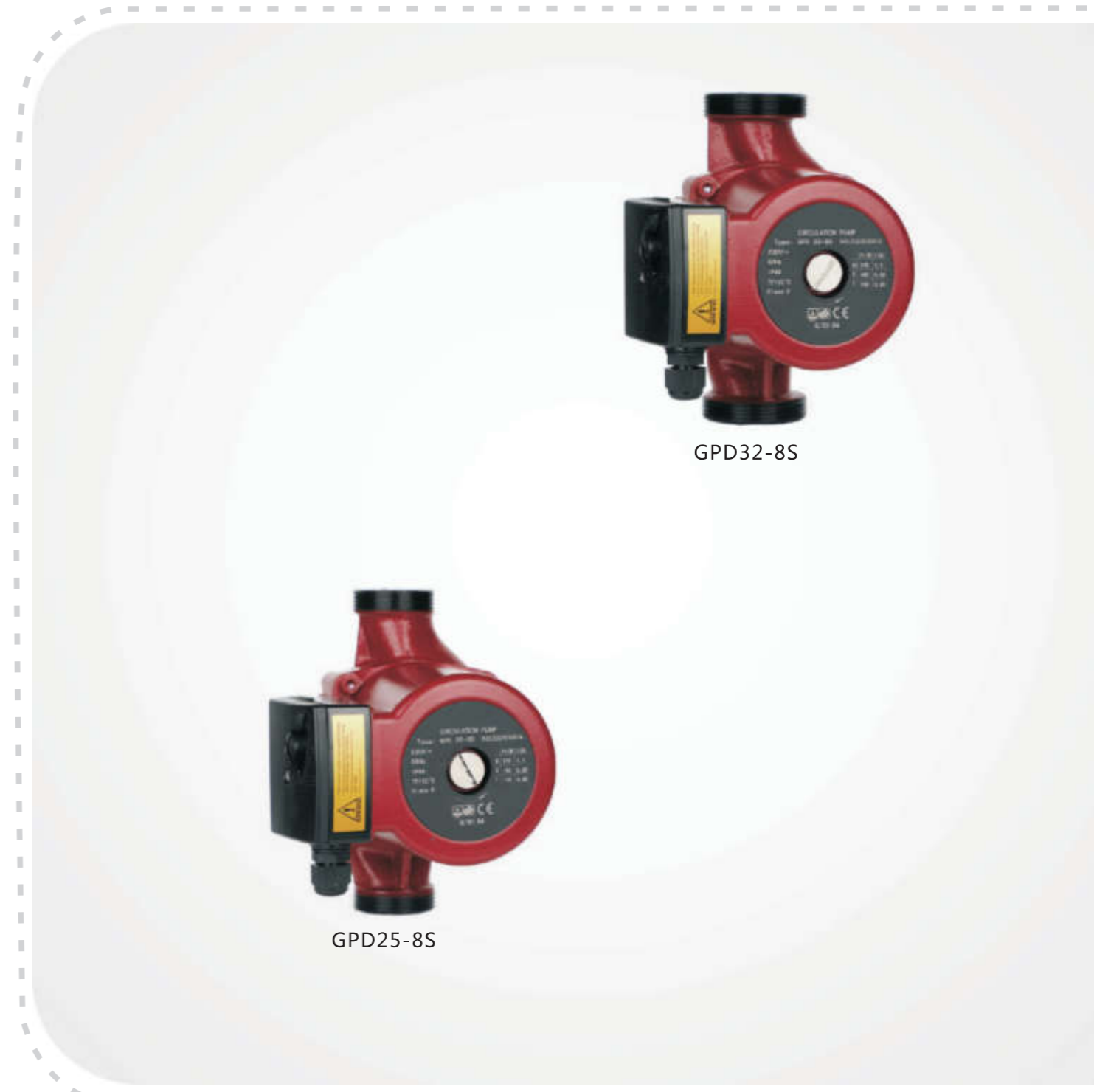
产品技术数据 Technical data



产品型号 Model	最大流量 Max. Flow (m³/h)	功率 Power (W)	额定流量 Rated Flow (m³/h)	额定扬程 Rated Head (m)	额定电流 Rated Current(A)		电压 Voltage(V)		泵体材质 Material of pump housing			
					115V	230V	115	230	铸铁 Cast Iron	塑料 Plastic	铜材 Copper	不锈钢 Stainless steel
GPD25-8S	6	245	3.2	6.0	2.2	1.1	●	●	●	●	●	●
GPD32-8S	8	245	4.0	5.5	2.2	1.1	●	●	●			●

产品型号 Model	安装尺寸 Dimension					重量 Weight(Kg)		配用接头/法兰 Connection/Flange	包装箱尺寸 Package size(mm×mm×mm)
	L	H	H1	B	G	净重 N.W.	毛重 G.W.		
GPD25-8S	180	170	130	150	1½"	4.8	5.5	1½"-1"	420×350×205
GPD32-8S	180	170	130	150	2"	4.6	5.6	2"-1¼" or 1½"	420×350×205

净重：裸泵重量，不包含配件重； Net weight: weight of pump, accessory not included. ● 代表可选择的产品规格
 毛重：包含说明书、管接头等纸箱内配件重量。 Gross weight : manual, connection and package included. ● represents optional product specification.



GPD32-8S

GPD25-8S

GPD^{Model} | 产品型号

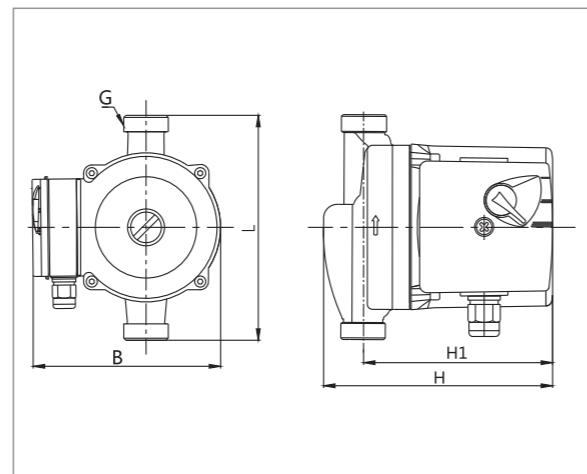
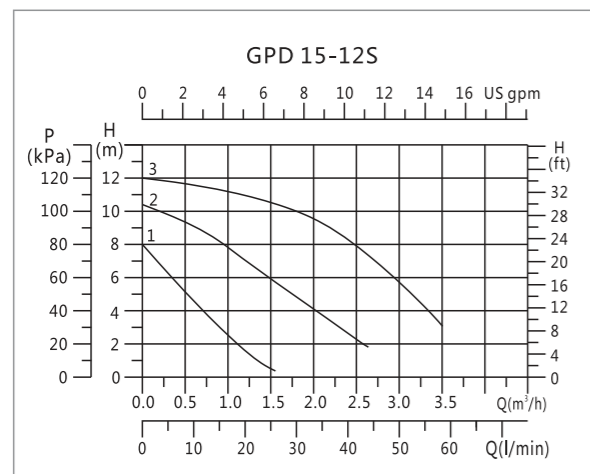
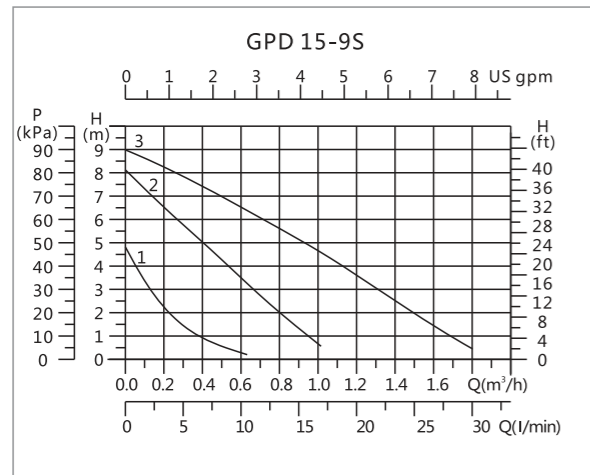
GPD15-9S/GPD15-12S

单相管道屏蔽电泵

GPD series circulation pumps



产品技术数据 Technical data



产品型号 Model	最大流量 Max. Flow (m ³ /h)	功率 Power (W)	额定流量 Rated Flow (m ³ /h)	额定扬程 Rated Head (m)	额定电流 Rated Current(A)		电压 Voltage(V)		泵体材质 Material of pump housing			
					115V	230V	115	230	铸铁 Cast Iron	塑料 Plastic	铜材 Copper	不锈钢 Stainless steel
GPD15-9S	1.8	120	0.7	6.0	1.06	0.53	●	●	●			
GPD15-12S	3.5	270	2.0	9.5	2.40	1.20	●	●	●			

产品型号 Model	安装尺寸 Dimension					重量 Weight(Kg)		配用接头/法兰 Connection/Flange	包装箱尺寸 Package size(mm×mm×mm)
	L	H	H1	B	G	净重 N.W.	毛重 G.W.		
GPD15-9S	130	130	105	130	¾"	2.3	2.5	¾"-½"	360×300×310
GPD15-12S	150	150	132	150	¾"	3.9	4.4	¾"-½"	420×350×205

净重：裸泵重量，不包含配件重； Net weight: weight of pump, accessory not included. ● 代表可选择的产品规格
 毛重：包含说明书、管接头等纸箱内配件重量。 Gross weight : manual, connection and package included. ● represents optional product specification.



GPD15-9S

GPD15-12S

GPD^{Model} | 产品型号

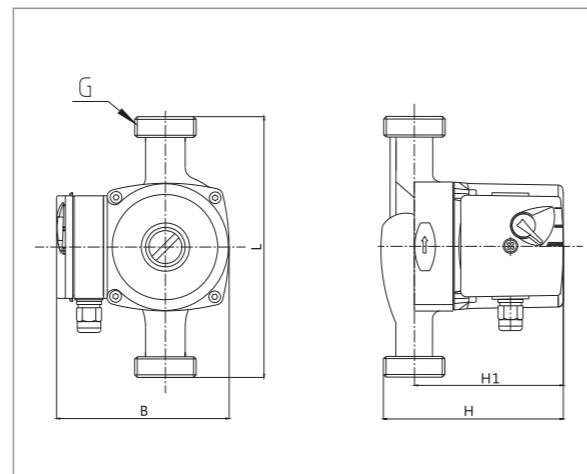
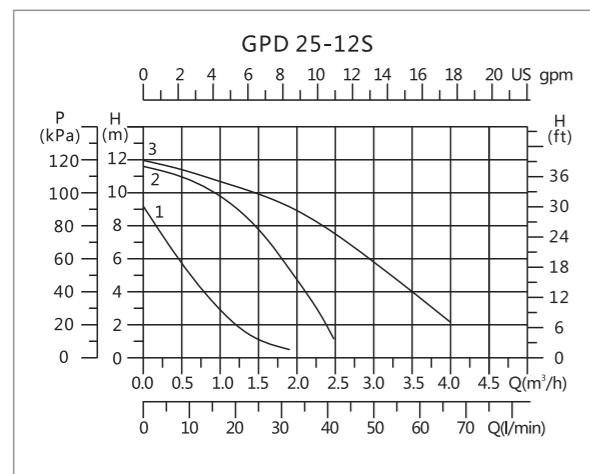
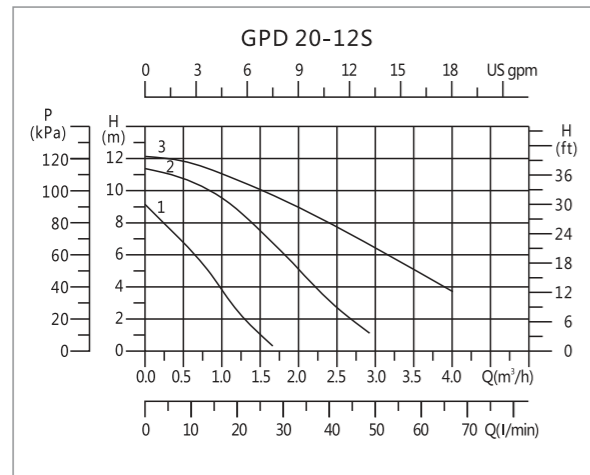
GPD20-12S/GPD25-12S

单相管道屏蔽电泵

GPD series circulation pumps



产品技术数据 Technical data



产品型号 Model	最大流量 Max. Flow (m³/h)	功率 Power (W)	额定流量 Rated Flow (m³/h)	额定扬程 Rated Head (m)	额定电流 Rated Current(A)		电压 Voltage(V)		泵体材质 Material of pump housing			
					115V	230V	115	230	铸铁 Cast Iron	塑料 Plastic	铜材 Copper	不锈钢 Stainless steel
GPD20-12S	4.0	270	2.0	9.0	2.4	1.2	●	●	●		●	
GPD25-12S	4.0	270	2.0	9.0	2.4	1.2	●	●	●		●	

产品型号 Model	安装尺寸 Dimension					重量 Weight(Kg)		配用接头/法兰 Connection/Flange	包装箱尺寸 Package size(mm×mm×mm)
	L	H	H1	B	G	净重 N.W.	毛重 G.W.		
GPD20-12S	180	151	128	150	1"	2.3	2.5	1"-3/4"	420×350×205
GPD25-12S	180	151	128	150	1½"	2.3	2.5	1½"-1"	420×350×205

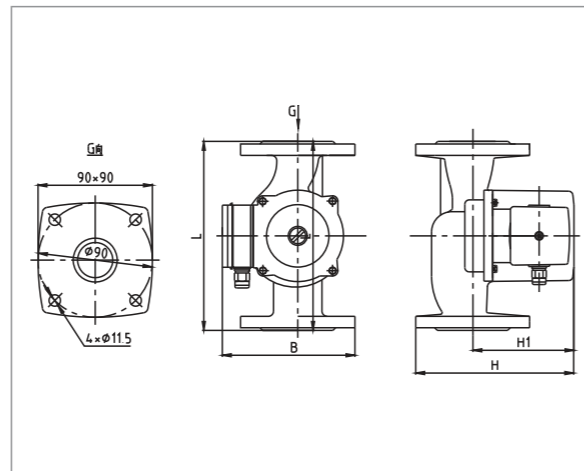
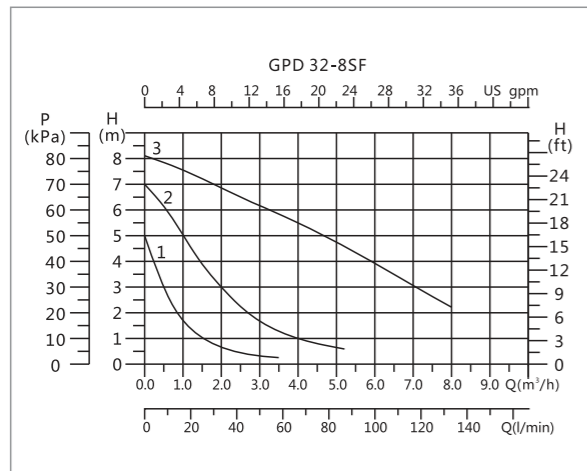
净重：裸泵重量，不包含配件重； Net weight: weight of pump, accessory not included. ● 代表可选择的产品规格
 毛重：包含说明书、管接头等纸箱内配件重量。 Gross weight : manual, connection and package included. ● represents optional product specification.



GPD20-12S

GPD25-12S

■ 产品技术数据 Technical data



产品型号 Model	最大流量 Max. Flow (m³/h)	功率 Power (W)	额定流量 Rated Flow (m³/h)	额定扬程 Rated Head (m)	额定电流 Rated Current(A)		电压 Voltage(V)		泵体材质 Material of pump housing			
					115V	230V	115	230	铸铁 Cast Iron	塑料 Plastic	铜材 Copper	不锈钢 Stainless steel
GPD32-8SF	8.0	245	4.0	5.5	2.2	1.1	●	●	●			

产品型号 Model	安装尺寸 Dimension					重量 Weight(Kg)		配用接头/法兰 Connection/Flange	包装箱尺寸 Package size(mm×mm×mm)
	L	H	H1	B	G	净重 N.W.	毛重 G.W.		
GPD32-8SF	200	185	130	150	DN32	5.8	7.4	DN32-G2"	470×370×225

净重：裸泵重量，不包含配件重； Net weight: weight of pump, accessory not included.
毛重：包含说明书、管接头等纸箱内配件重量。 Gross weight : manual, connection and package included.

● 代表可选择的产品规格
● represents optional product specification.



GPD32-8SF

GPD^{Model} | 产品型号

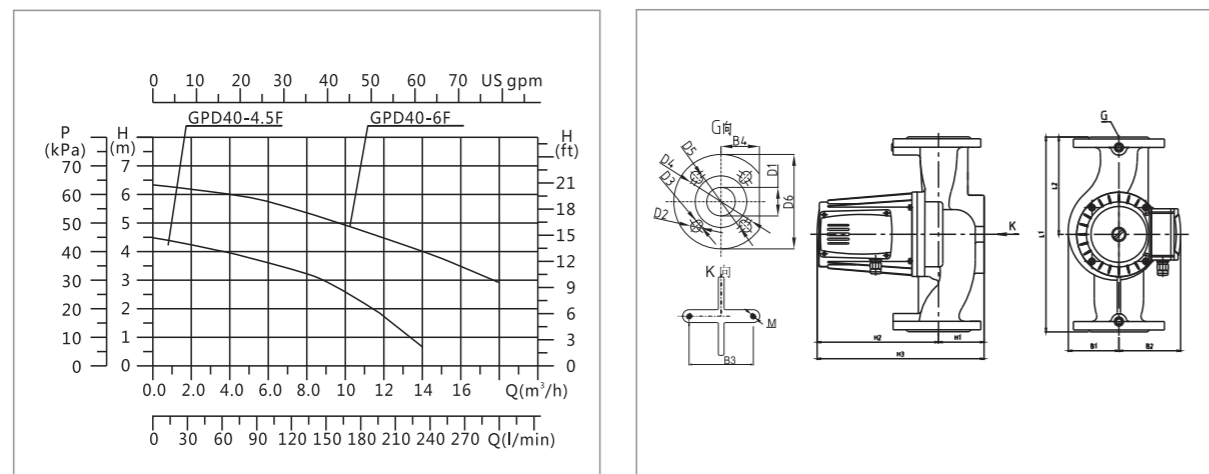
GPD40-4.5F/GPD40-6F

单相管道屏蔽电泵

GPD series circulation pumps



产品技术数据 Technical data



产品型号 Model	最大流量 Max. Flow (m ³ /h)	功率 Power (W)	额定流量 Rated Flow (m ³ /h)	额定扬程 Rated Head (m)	额定电流 Rated Current(A)		电压 Voltage(V)		泵体材质 Material of pump housing				
					115V	230V	115	230	铸铁 Cast Iron	塑料 Plastic	铜材 Copper	不锈钢 Stainless steel	
GPD40-4.5F	14.0	300	8.0	3.2	3	1.5	●	●	●				
GPD40-6F	18.0	500	12.5	4.5		2.5		●	●				

产品型号 Model	安装尺寸 Dimension															
	H1	H2	H3	L1	L2	B1	B2	B3	B4	D1	D2	D3	D4	D5	D6	M
GPD40-4.5F	61	189	250	230	115	68	99	90	60	40	13.5	10	130	100	150	M8
GPD40-6F	61	209	270	230	115	68	99	90	60	40	13.5	10	130	100	150	M10

产品型号 Model	配用接头/法兰 Connection/Flange	重量 Weight(Kg)		包装箱尺寸 Package size(mm×mm×mm)
		净重 N.W.	毛重 G.W.	
GPD40-4.5F	DN40	9.5	12.2	275×400×285
GPD40-6F	DN40	10.8	13.5	275×400×305

净重：裸泵重量，不包含配件重； Net weight: weight of pump, accessory not included. ●代表可选择的产品规格
毛重：包含说明书、管接头等纸箱内配件重量。 Gross weight: manual, connection and package included. ●represents optional product specification.



GPD40-4.5F

GPD40-6F

GPD^{Model} | 产品型号

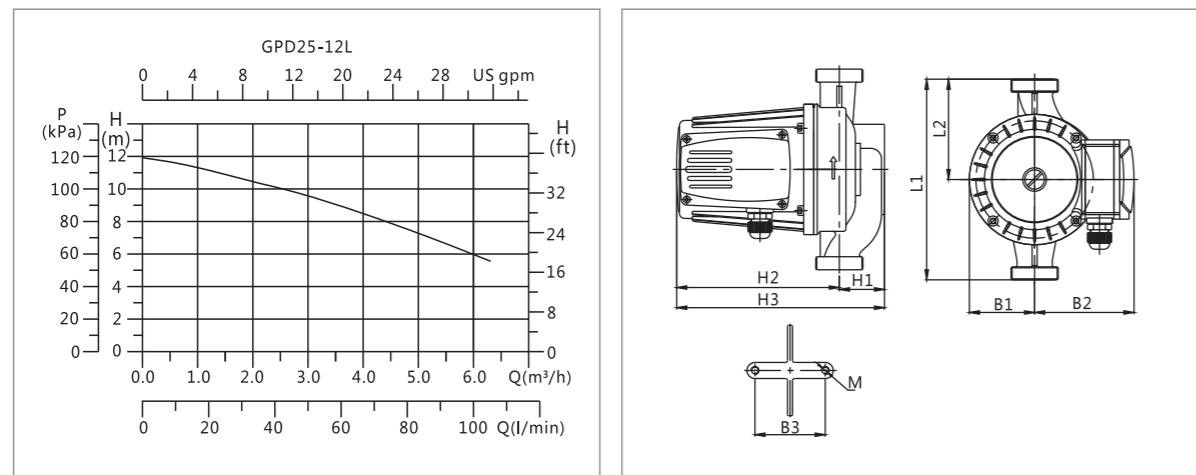
GPD25-12L

单相管道屏蔽电泵

GPD series circulation pumps



产品技术数据 Technical data



产品型号 Model	最大流量 Max. Flow (m ³ /h)	功率 Power (W)	额定流量 Rated Flow (m ³ /h)	额定扬程 Rated Head (m)	额定电流 Rated Current(A)		电压 Voltage(V)		泵体材质 Material of pump housing			
					115V	230V	115	230	铸铁 Cast Iron	塑料 Plastic	铜材 Copper	不锈钢 Stainless steel
GPD25-12L	6.2	300	3.5	9.0	3	1.5	●	●	●			

产品型号 Model	安装尺寸 Dimension									重量 Weight(Kg)		配用接头/法兰 Connection/Flange	包装箱尺寸 Package size(mm×mm×mm)
	H1	H2	H3	L1	L2	B1	B2	B3	M	净重 N.W.	毛重 G.W.		
GPD25-12L	45	162	207	200	100	65	99	70	M8	6.6	7	1½"-1"	530×420×250

净重：裸泵重量，不包含配件重；
毛重：包含说明书、管接头等纸箱内配件重量。
Net weight: weight of pump, accessory not included.
Gross weight : manual, connection and package included.

● 代表可选择的产品规格
● represents optional product specification.



GPD25-12L

GPD^{Model} 产品型号

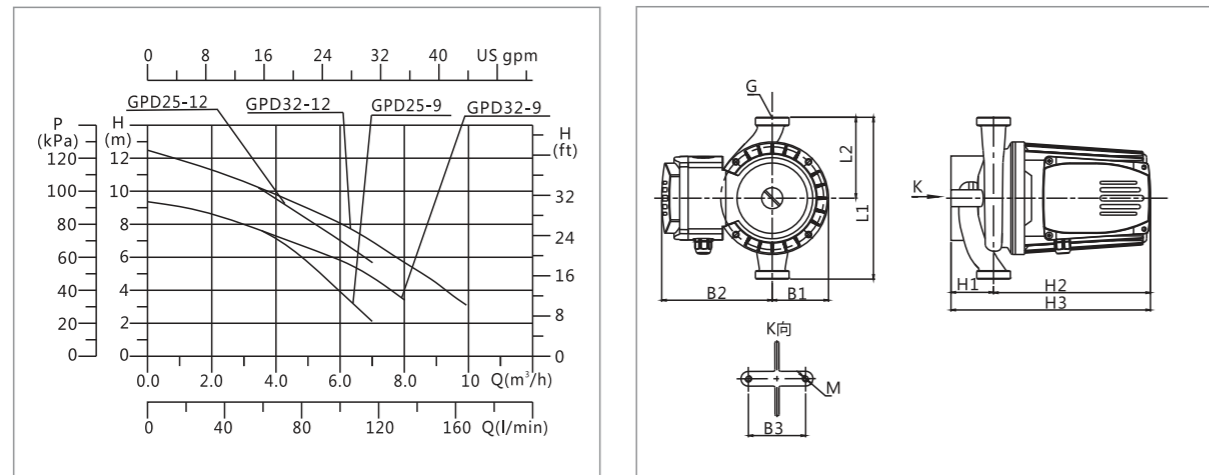
GPD25-9/GPD32-9/GPD25-12/GPD32-12

单相管道屏蔽电泵

GPD series circulation pumps



产品技术数据 Technical data



产品型号 Model	最大流量 Max. Flow (m ³ /h)	功率 Power (W)	额定流量 Rated Flow (m ³ /h)	额定扬程 Rated Head (m)	额定电流 Rated Current(A)		电压 Voltage(V)		泵体材质 Material of pump housing			
					115V	230V	115	230	铸铁 Cast iron	塑料 Plastic	铜材 Copper	不锈钢 Stainless steel
GPD25-9	7	300	4	7	3	1.5	●	●	●			●
GPD32-9	8	300	5	6.5	3	1.5	●	●	●			●
GPD25-12	7	500	5	8		2.5		●	●	●		●
GPD32-12	10	500	6	8		2.5		●	●	●		●

产品型号 Model	安装尺寸 Dimension									重量 Weight(Kg)	
	H1	H2	H3	L1	L2	B1	B2	B3	M	净重 N.W.	毛重 G.W.
GPD25-9	44	165	209	180/220	90/110	68	99	70	M8	6.4	6.8
GPD32-9	49	165	214	180/220	90/110	68	99	70	M8	7	8.1
GPD25-12	44	185	229	180/220	90/110	68	99	70	M8	7.7	8.5
GPD32-12	49	185	234	180/220	90/110	68	99	70	M8	8.4	9.5

产品型号 Model	配套接头/法兰 Connection/Flange	包装箱尺寸 Package size(mm×mm×mm)
GPD25-9	1¼"-¾" or 1½"-1"	530×420×250
GPD32-9	2"-1¼" or 1½"	530×420×250
GPD25-12	1¼"-¾" or 1½"-1"	530×420×270
GPD32-12	2"-1¼" or 1½"	530×420×270

净重：裸泵重量，不包含配件重；
毛重：包含说明书、管接头等纸箱内配件重量。
Net weight: weight of pump, accessory not included.
Gross weight : manual, connection and package included.

● 代表可选择的产品规格
● represents optional product specification.



GPD^{Model} | 产品型号

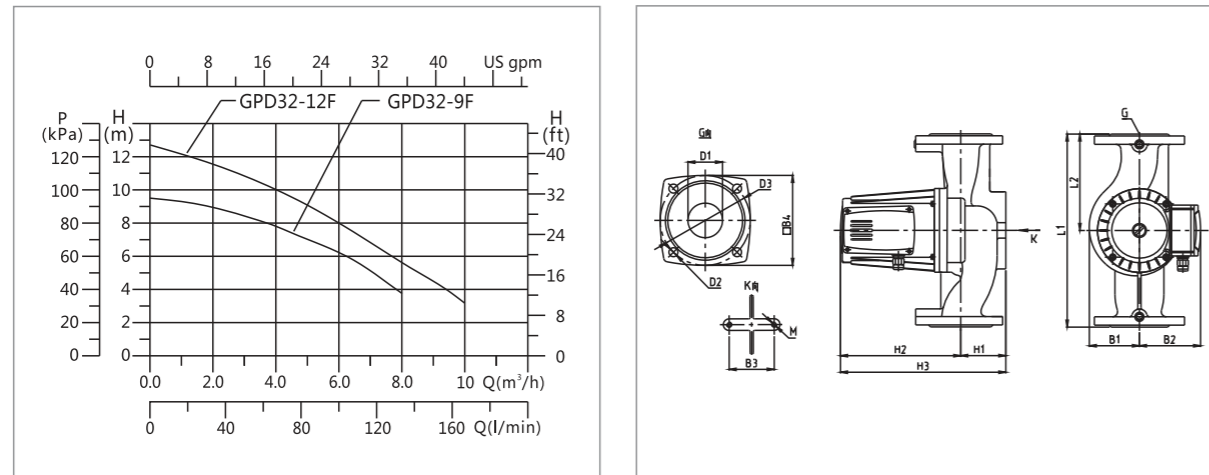
GPD32-9F/GPD32-12F

单相管道屏蔽电泵

GPD series circulation pumps



产品技术数据 Technical data



产品型号 Model	最大流量 Max. Flow (m³/h)	功率 Power (W)	额定流量 Rated Flow (m³/h)	额定扬程 Rated Head (m)	额定电流 Rated Current(A)		电压 Voltage(V)		泵体材质 Material of pump housing				
					115V	230V	115	230	铸铁 Cast Iron	塑料 Plastic	铜材 Copper	不锈钢 Stainless steel	
GPD32-9F	8.0	300	5.0	7.0	3	1.5	●	●	●				
GPD32-12F	10.0	500	5.0	9.0		2.5		●	●				

产品型号 Model	安装尺寸 Dimension												
	H1	H2	H3	L1	L2	B1	B2	B3	B4	D1	D2	D3	M
GPD32-9F	49	165	214	220	110	68	99	70	90	40	11.5	90	M8
GPD32-12F	49	185	234	220	110	68	99	70	90	40	11.5	90	M8

产品型号 Model	重量 Weight(Kg)		配用接头/法兰 Connection/Flange	包装箱尺寸 Package size(mm×mm×mm)
	净重 N.W.	毛重 G.W.		
GPD32-9F	8	9.7	DN32	530×420×250
GPD32-12F	9.3	10.9	DN32	530×420×270

净重：裸泵重量，不包含配件重；
毛重：包含说明书、管接头等纸箱内配件重量。
Net weight: weight of pump, accessory not included.
Gross weight : manual, connection and package included.

● 代表可选择的产品规格
● represents optional product specification.



GPD32-9F

GPD32-12F

GPD^{Model} | 产品型号

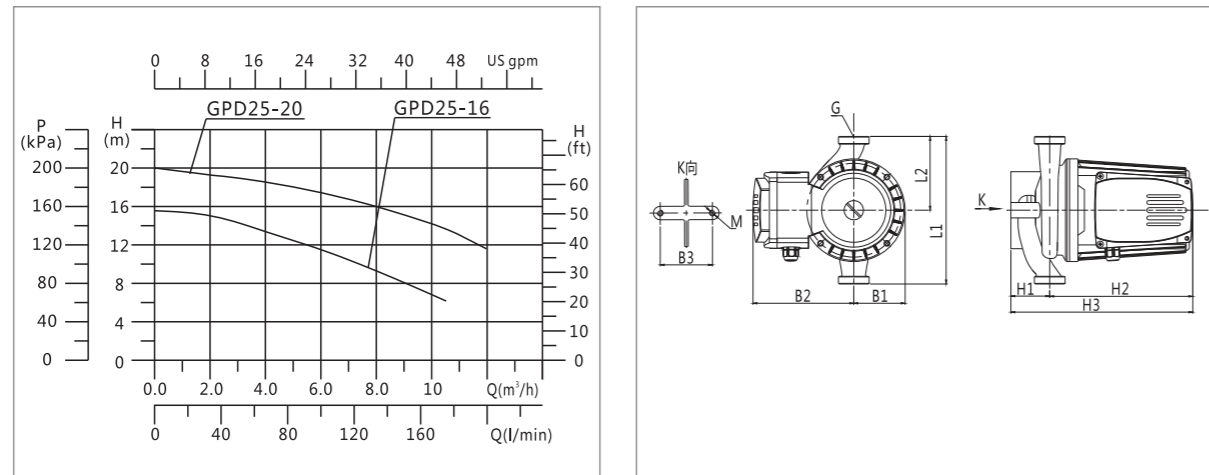
GPD25-16/GPD25-20

单相管道屏蔽电泵

GPD series circulation pumps



产品技术数据 Technical data



产品型号 Model	最大流量 Max. Flow (m³/h)	功率 Power (W)	额定流量 Rated Flow (m³/h)	额定扬程 Rated Head (m)	额定电流 Rated Current(A)		电压 Voltage(V)		泵体材质 Material of pump housing				
					115V	230V	115	230	铸铁 Cast Iron	塑料 Plastic	铜材 Copper	不锈钢 Stainless steel	
GPD25-16	10.5	700	5.0	12.5		3.4		●	●				
GPD25-20	12.0	1000	8.0	16.0		4.9		●	●				

产品型号 Model	安装尺寸 Dimension									重量 Weight(Kg)	
	H1	H2	H3	L1	L2	B1	B2	B3	M	净重 N.W.	毛重 G.W.
GPD25-16	54	232	286	230	115	80	154	80	M10	12.5	13.6
GPD25-20	54	232	286	230	115	80	154	80	M10	13.4	14.7

产品型号 Model	配用接头/法兰 Connection/Flange	包装箱尺寸 Package size(mm×mm×mm)
GPD25-16	1½"-1" or 1¼"-¾"	270×270×340
GPD25-20	1½"-1" or 1¼"-¾"	270×270×340

净重：裸泵重量，不包含配件重；
毛重：包含说明书、管接头等纸箱内配件重量。
Net weight: weight of pump, accessory not included.
Gross weight : manual, connection and package included.

● 代表可选择的产品规格
● represents optional product specification.



GPD25-16



GPD25-20

GPD^{Model} | 产品型号

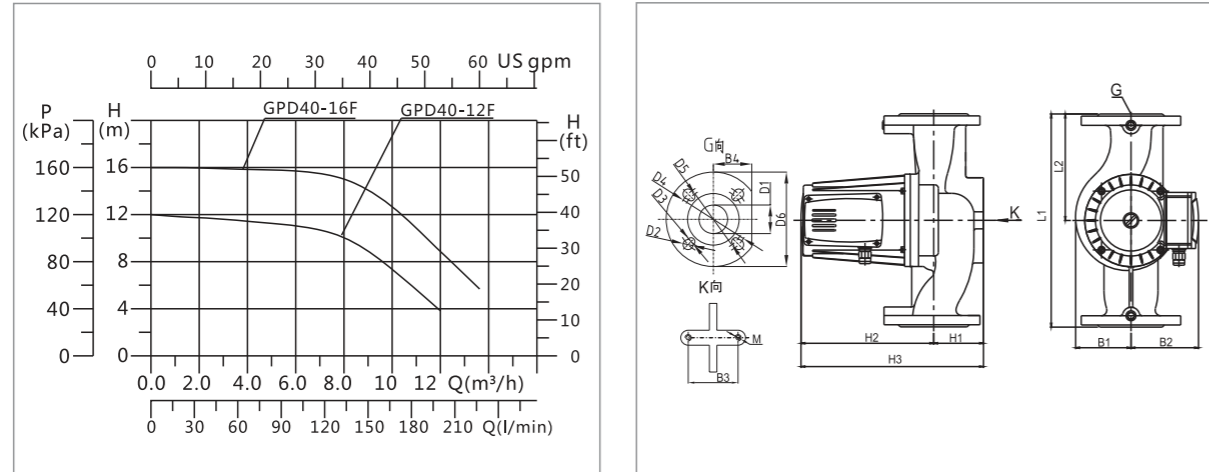
GPD40-12F/GPD40-16F

单相管道屏蔽电泵

GPD series circulation pumps



产品技术数据 Technical data



产品型号 Model	最大流量 Max. Flow (m³/h)	功率 Power (W)	额定流量 Rated Flow (m³/h)	额定扬程 Rated Head (m)	额定电流 Rated Current(A)		电压 Voltage(V)		泵体材质 Material of pump housing				
					115V	230V	115	230	铸铁 Cast Iron	塑料 Plastic	铜材 Copper	不锈钢 Stainless steel	
GPD40-12F	12.0	700	8.0	10.0		3.4		●	●				
GPD40-16F	13.5	1000	8.0	15.0		4.9		●	●				

产品型号 Model	安装尺寸 Dimension															
	H1	H2	H3	L1	L2	B1	B2	B3	B4	D1	D2	D3	D4	D5	D6	M
GPD40-12F	65	232	297	250	125	80	154	80	60	40	17.5	13.5	110	100	150	M10
GPD40-16F	65	232	297	250	125	80	154	80	60	40	17.5	13.5	110	100	150	M10

产品型号 Model	重量 Weight(Kg)		配用接头/法兰 Connection/Flange	包装箱尺寸 Package size(mm×mm×mm)
	净重 N.W.	毛重 G.W.		
GPD40-12F	15.3	18.4	DN40-G1½ or 1¼	270×270×340
GPD40-16F	16.9	20	DN40-G1½ or 1¼	270×270×340

净重：裸泵重量，不包含配件重；
毛重：包含说明书、管接头等纸箱内配件重量。
Net weight: weight of pump, accessory not included.
Gross weight : manual, connection and package included.

● 代表可选择的产品规格
● represents optional product specification.



GPD40-12F



GPD40-16F

GPD^{Model} 产品型号

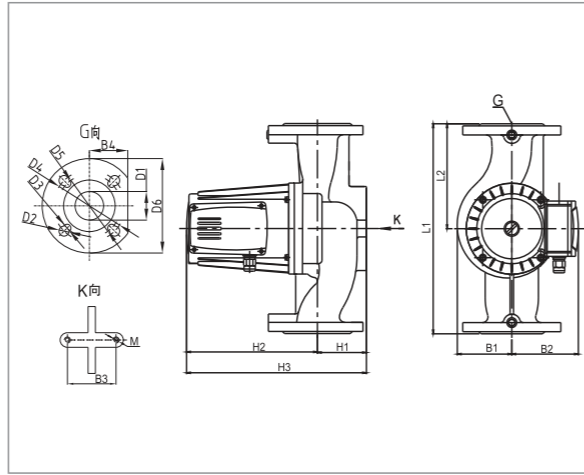
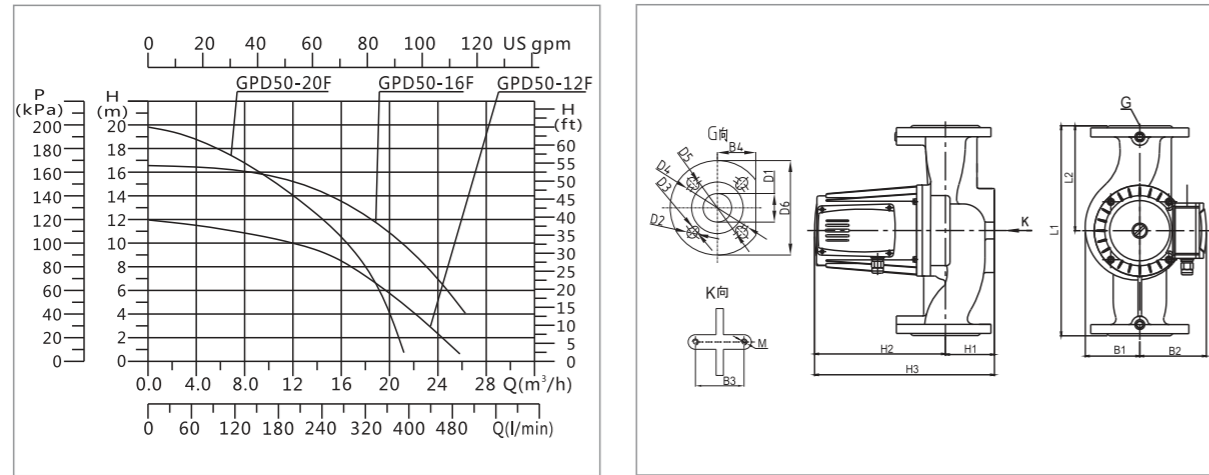
GPD50-12F/GPD50-16F/GPD50-20F

单相管道屏蔽电泵

GPD series circulation pumps



产品技术数据 Technical data



产品型号 Model	最大流量 Max. Flow (m³/h)	功率 Power (W)	额定流量 Rated Flow (m³/h)	额定扬程 Rated Head (m)	额定电流 Rated Current(A)		电压 Voltage(V)		泵体材质 Material of pump housing				
					115V	230V	115	230	铸铁 Cast Iron	塑料 Plastic	铜材 Copper	不锈钢 Stainless steel	
GPD50-12F	26	1000	15.0	9.0		4.9		●	●				
GPD50-16F	26	1300	15.0	13.0		5.8		●	●				
GPD50-20F	21	1300	12.0	14.0		5.8		●	●				

产品型号 Model	安装尺寸 Dimension															
	H1	H2	H3	L1	L2	B1	B2	B3	B4	D1	D2	D3	D4	D5	D6	M
GPD50-12F	72	232	304	280	140	88	154	90	72	50	17.5	13.5	125	110	165	M10
GPD50-16F	72	257	329	280	140	88	154	90	72	50	17.5	13.5	125	110	165	M10
GPD50-20F	72	257	329	280	140	88	154	90	72	50	17.5	13.5	125	110	165	M10

产品型号 Model	重量 Weight(Kg)		配用接头/法兰 Connection/Flange	包装箱尺寸 Package size(mm×mm×mm)
	净重 N.W.	毛重 G.W.		
GPD50-12F	17.6	22.4	DN50-G2	393×338×293
GPD50-16F	19.6	24.4	DN50-G2	393×338×293
GPD50-20F	19.8	24.6	DN50-G2	393×338×293

净重：裸泵重量，不包含配件重；
毛重：包含说明书、管接头等纸箱内配件重量。
Net weight: weight of pump, accessory not included.
Gross weight : manual, connection and package included.

● 代表可选择的产品规格
● represents optional product specification.



GPD50-12F



GPD50-16F



GPD50-20F

GPD^{Model} 产品型号

GPD65-5F/GPD65-8F

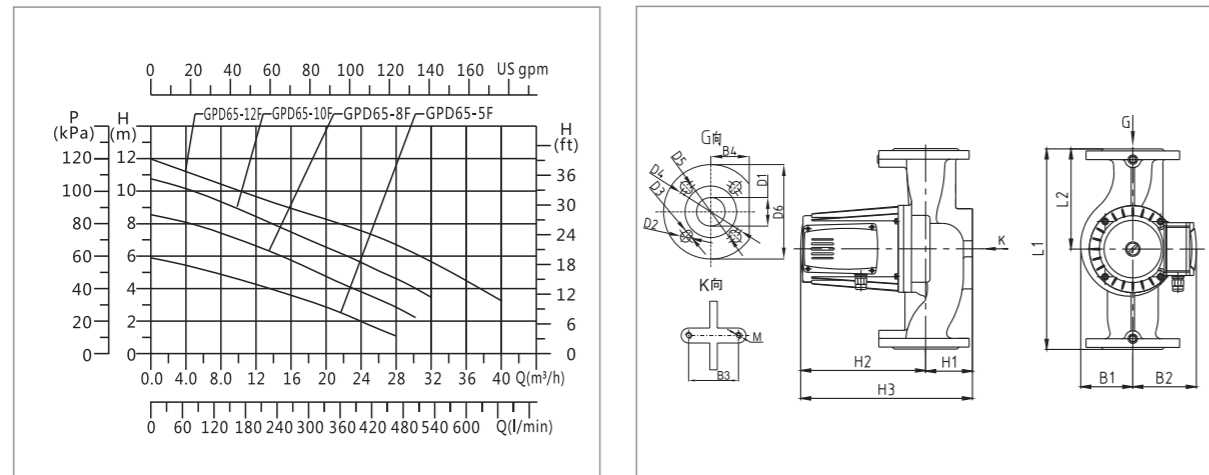
GPD65-10F/GPD65-12F

单相管道屏蔽电泵

GPD series circulation pumps



产品技术数据 Technical data



产品型号 Model	最大流量 Max. Flow (m³/h)	功率 Power (W)	额定流量 Rated Flow (m³/h)	额定扬程 Rated Head (m)	额定电流 Rated Current(A)		电压 Voltage(V)		泵体材质 Material of pump housing							
					115V	230V	115	230	铸铁 Cast Iron	塑料 Plastic	铜材 Copper	不锈钢 Stainless steel				
GPD65-5F	28	700	18	3.0		3.4		●	●							
GPD65-8F	30	700	20	5.0		3.4		●	●							
GPD65-10F	32	1000	20	6.5		4.9		●	●							
GPD65-12F	40	1300	25	7.5		5.8		●	●							

产品型号 Model	安装尺寸 Dimension															
	H1	H2	H3	L1	L2	B1	B2	B3	B4	D1	D2	D3	D4	D5	D6	M
GPD65-5F	78	232	310	280	140	88	154	90	76	65	17.5	13.5	145	130	180	M10
GPD65-8F	78	232	310	280	140	88	154	90	76	65	17.5	13.5	145	130	180	M10
GPD65-10F	78	232	310	300	150	93	154	90	76	65	17.5	13.5	145	130	185	M10
GPD65-12F	78	257	335	300	150	93	154	90	76	65	17.5	13.5	145	130	185	M10

产品型号 Model	重量 Weight(Kg)		配用接头/法兰 Connection/Flange	包装箱尺寸 Package size(mm×mm×mm)
	净重 N.W.	毛重 G.W.		
GPD65-5F	18	21.5	DN65-G2½	393×338×293
GPD65-8F	18.2	21.7	DN65-G2½	393×338×293
GPD65-10F	19.7	24.7	DN65-G2½	393×358×293
GPD65-12F	21.5	26.5	DN65-G2½	393×358×293

净重：裸泵重量，不包含配件重；
毛重：包含说明书、管接头等纸箱内配件重量。
Net weight: weight of pump, accessory not included.
Gross weight : manual, connection and package included.

● 代表可选择的产品规格
● represents optional product specification.



GPD65-8F



GPD65-5F



GPD65-12F



GPD65-10F

GPD^{Model} | 产品型号

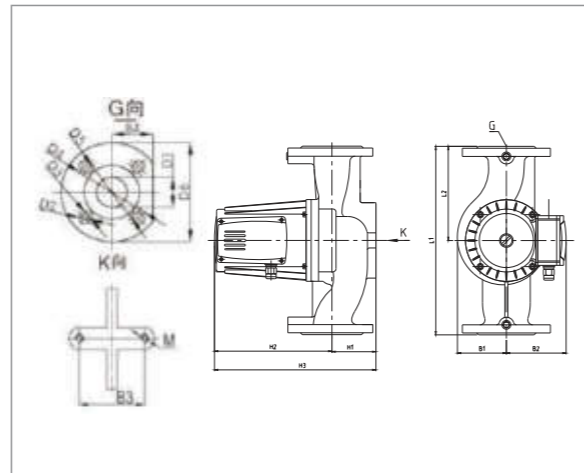
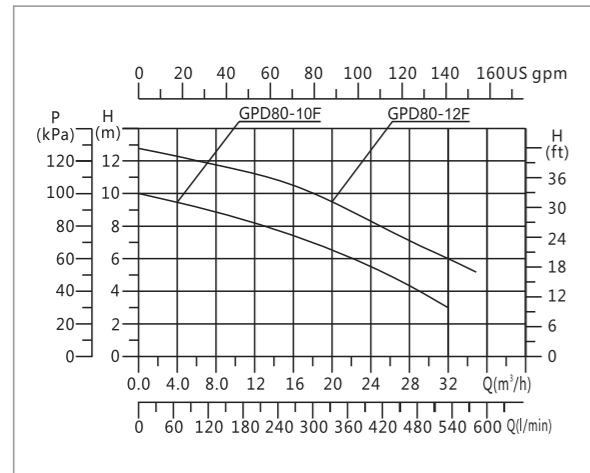
GPD80-10F/GPD80-12F

单相管道屏蔽电泵

GPD series circulation pumps



产品技术数据 Technical data



产品型号 Model	最大流量 Max. Flow (m³/h)	功率 Power (W)	额定流量 Rated Flow (m³/h)	额定扬程 Rated Head (m)	额定电流 Rated Current(A)		电压 Voltage(V)		泵体材质 Material of pump housing				
					115V	230V	115	230	铸铁 Cast Iron	塑料 Plastic	铜材 Copper	不锈钢 Stainless steel	
GPD80-10F	32	1000	22	6		4.9		●	●				
GPD80-12F	35	1300	28	7		5.8		●	●				

产品型号 Model	安装尺寸 Dimension															
	H1	H2	H3	L1	L2	B1	B2	B3	B4	D1	D2	D3	D4	D5	D6	M
GPD80-10F	88	232	320	360	150	93	154	90	76	80	17.5	13.5	150	140	200	M10
GPD80-12F	88	257	345	360	150	93	154	90	76	80	17.5	13.5	150	140	200	M10

产品型号 Model	重量 Weight(Kg)		包装箱尺寸 Package size(mm×mm×mm)
	净重 N.W.	毛重 G.W.	
GPD80-10F	20.0	25.0	380×360×375
GPD80-12F	24.4	29.4	380×360×375

净重：裸泵重量，不包含配件重；
毛重：包含说明书、管接头等纸箱内配件重量。
Net weight: weight of pump, accessory not included.
Gross weight : manual, connection and package included.

● 代表可选择的产品规格
● represents optional product specification.



GPD80-10F

GPD80-12F

GPD^{Model} | 产品型号

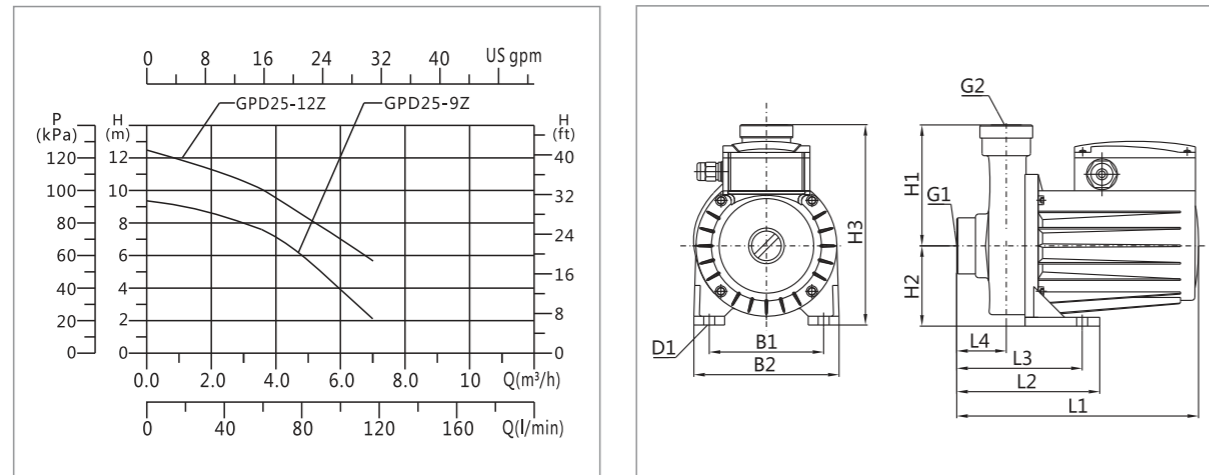
GPD25-9Z/GPD25-12Z

单相管道屏蔽电泵

GPD series circulation pumps



产品技术数据 Technical data



产品型号 Model	最大流量 Max. Flow (m ³ /h)	功率 Power (W)	额定流量 Rated Flow (m ³ /h)	额定扬程 Rated Head (m)	额定电流 Rated Current(A)	
					115V	230V
GPD25-9Z	7	300	4.0	7	3	1.5
GPD25-12Z	7	500	5.0	8		2.5

产品型号 Model	安装尺寸 Dimension											重量 Weight(Kg)		
	H1	H2	H3	L1	L2	L3	L4	B1	B2	D1	G1 int.	G2 int.	净重 N.W.	毛重 G.W.
GPD25-9Z	110	72	182	209	130	114	45	104	132	10	1 1/4"	1"	6.5	7.2
GPD25-12Z	110	72	182	229	130	114	45	104	132	10	1 1/4"	1"	8	8.7

产品型号 Model	电压 Voltage(V)		泵体材质 Material of pump housing			包装箱尺寸 Package size(mm×mm×mm)
	115	230	铸铁 Cast Iron	铜材 Copper	不锈钢 Stainless steel	
GPD25-9Z	●	●	●			440×340×230
GPD25-12Z		●	●			440×340×250

净重：裸泵重量，不包含配件重；
毛重：包含说明书、管接头等纸箱内配件重量。
Net weight: weight of pump, accessory not included.
Gross weight : manual, connection and package included.

● 代表可选择的产品规格
● represents optional product specification.



GPD25-9Z



GPD25-12Z

GPD^{Model} | 产品型号

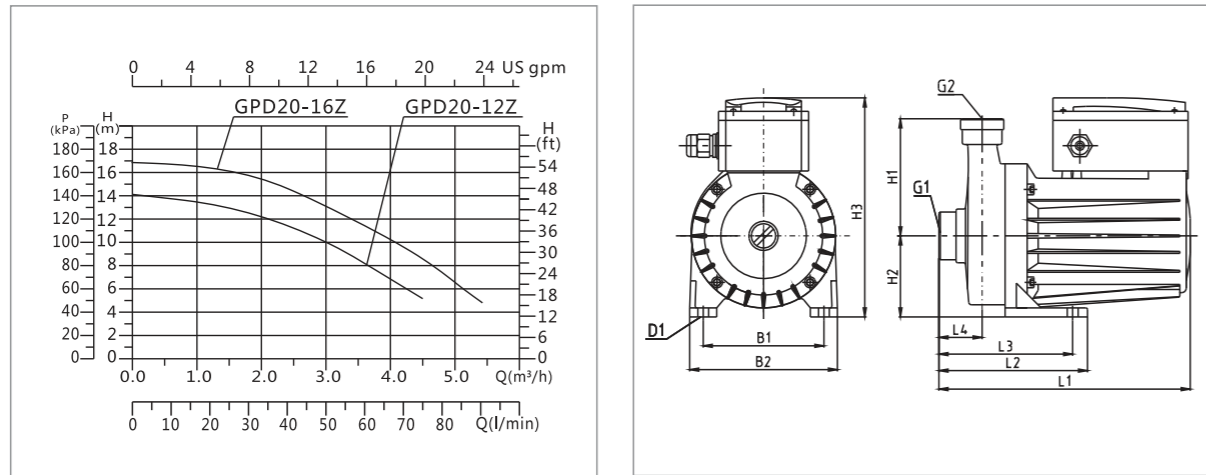
GPD20-12Z/GPD20-16Z

单相管道屏蔽电泵

GPD series circulation pumps



产品技术数据 Technical data



产品型号 Model	最大流量 Max. Flow (m³/h)	功率 Power (W)	额定流量 Rated Flow (m³/h)	额定扬程 Rated Head (m)	额定电流 Rated Current(A)	
					115V	230V
GPD20-12Z	4.5	300	3.0	10.0	3	1.5
GPD20-16Z	5.5	500	3.0	13.0	5	2.5

产品型号 Model	安装尺寸 Dimension											重量 Weight(Kg)		
	H1	H2	H3	L1	L2	L3	L4	B1	B2	D1	G1 int.	G2 int.	净重 N.W.	毛重 G.W.
GPD20-12Z	106	75	181	202	127	92	37	120	145	10	1"	¾"	6.4	7.1
GPD20-16Z	106	75	181	222	127	92	37	120	145	10	1"	¾"	7.8	8.5

产品型号 Model	电压 Voltage(V)		泵体材质 Material of pump housing			包装箱尺寸 Package size(mm×mm×mm)
	115	230	铸铁 Cast Iron	铜材 Copper	不锈钢 Stainless steel	
GPD20-12Z	●	●	●	●		450×350×270
GPD20-16Z	●	●	●	●		450×350×270

净重：裸泵重量，不包含配件重；
毛重：包含说明书、管接头等纸箱内配件重量。
Net weight: weight of pump, accessory not included.
Gross weight : manual, connection and package included.

● 代表可选择的产品规格
● represents optional product specification.



GPD20-12Z



GPD20-16Z

GPD^{Model} | 产品型号

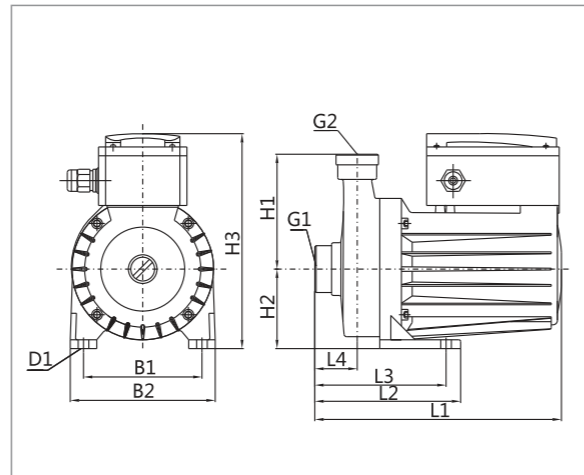
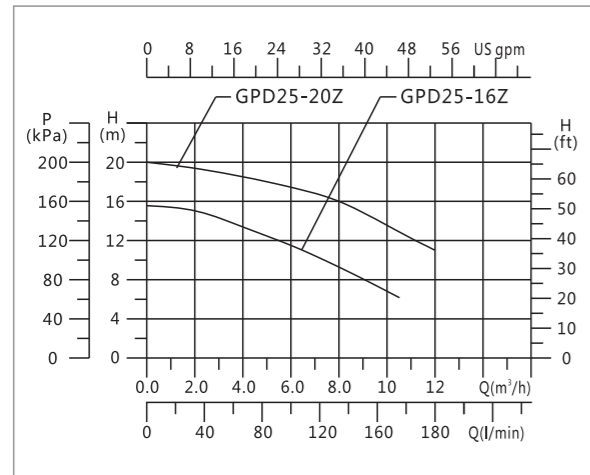
GPD25-16Z/GPD25-20Z

单相管道屏蔽电泵

GPD series circulation pumps



产品技术数据 Technical data



产品型号 Model	最大流量 Max. Flow (m³/h)	功率 Power (W)	额定流量 Rated Flow (m³/h)	额定扬程 Rated Head (m)	额定电流 Rated Current(A)	
					115V	230V
GPD25-16Z	10.5	700	5.0	12.5		3.4
GPD25-20Z	12	1000	8.0	16		4.9

产品型号 Model	安装尺寸 Dimension											重量 Weight(Kg)		
	H1	H2	H3	L1	L2	L3	L4	B1	B2	D1	G1 int.	G2 int.	净重 N.W.	毛重 G.W.
GPD25-16Z	130	90	244	268	165	148	48	134	164	12	1¼"	1"	10.6	12.2
GPD25-20Z	130	93	244	268	165	148	48	134	164	12	1¼"	1"	11.6	13.2

产品型号 Model	电压 Voltage(V)		泵体材质 Material of pump housing			包装箱尺寸 Package size(mm×mm×mm)
	115	230	铸铁 Cast Iron	铜材 Copper	不锈钢 Stainless steel	
GPD25-16Z		●	●			358×238×298
GPD25-20Z		●	●			358×238×298

净重：裸泵重量，不包含配件重；
毛重：包含说明书、管接头等纸箱内配件重量。
Net weight: weight of pump, accessory not included.
Gross weight : manual, connection and package included.

● 代表可选择的产品规格
● represents optional product specification.



GPD25-16Z



GPD25-20Z

GPD^{Model} | 产品型号

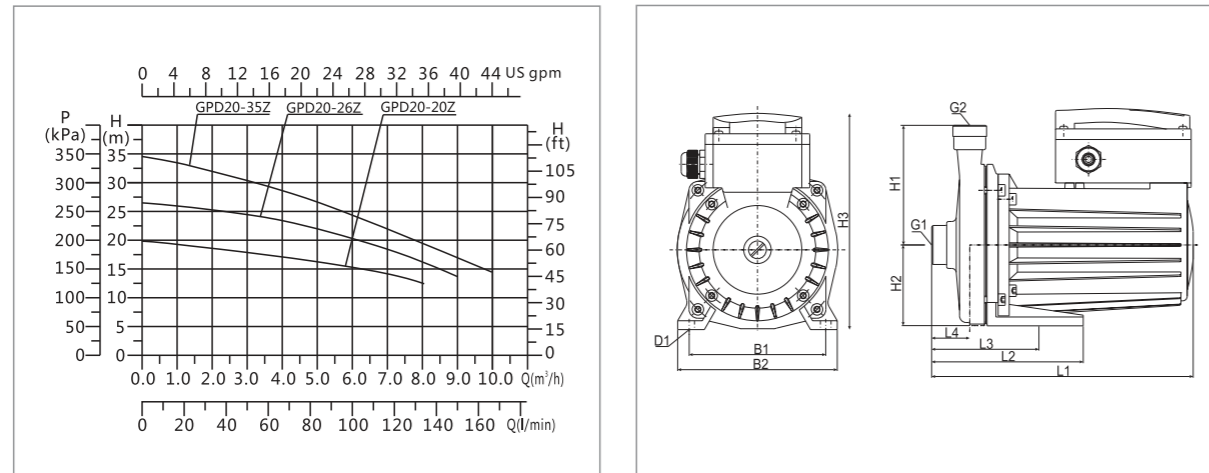
GPD20-20Z/GPD20-26Z/GPD20-35Z

单相管道屏蔽电泵

GPD series circulation pumps



产品技术数据 Technical data



产品型号 Model	最大流量 Max. Flow (m³/h)	功率 Power (W)	额定流量 Rated Flow (m³/h)	额定扬程 Rated Head (m)	额定电流 Rated Current(A)	
					115V	230V
GPD20-20Z	8	700	5.0	16.0		2.5
GPD20-26Z	9	1000	6.0	20.0		4.9
GPD20-35Z	10	1300	7.0	22.0		5.8

产品型号 Model	安装尺寸 Dimension												重量 Weight(Kg)	
	H1	H2	H3	L1	L2	L3	L4	B1	B2	D1	G1 int.	G2 int.	净重 N.W.	毛重 G.W.
GPD20-20Z	140	91	244	272	171	121	43	154	180	12	1"	¾"	13.7	15.3
GPD20-26Z	140	91	244	272	171	121	43	154	180	12	1"	¾"	14.7	16.3
GPD20-35Z	140	91	244	295	171	121	43	154	180	12	1"	¾"	16.7	18.3

产品型号 Model	电压 Voltage(V)		泵体材质 Material of pump housing			包装箱尺寸 Package size(mm×mm×mm)
	115	230	铸铁 Cast iron	铜材 Copper	不锈钢 Stainless steel	
GPD20-20Z		●	●	●		358×238×298
GPD20-26Z		●	●	●		358×238×298
GPD20-35Z		●	●	●		358×238×298

净重：裸泵重量，不包含配件重；
毛重：包含说明书、管接头等纸箱内配件重量。
Net weight: weight of pump, accessory not included.
Gross weight : manual, connection and package included.

● 代表可选择的产品规格
● represents optional product specification.



GPD20-20Z



GPD20-26Z



GPD20-35Z